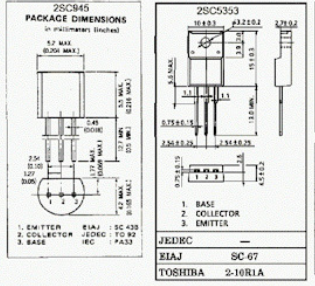
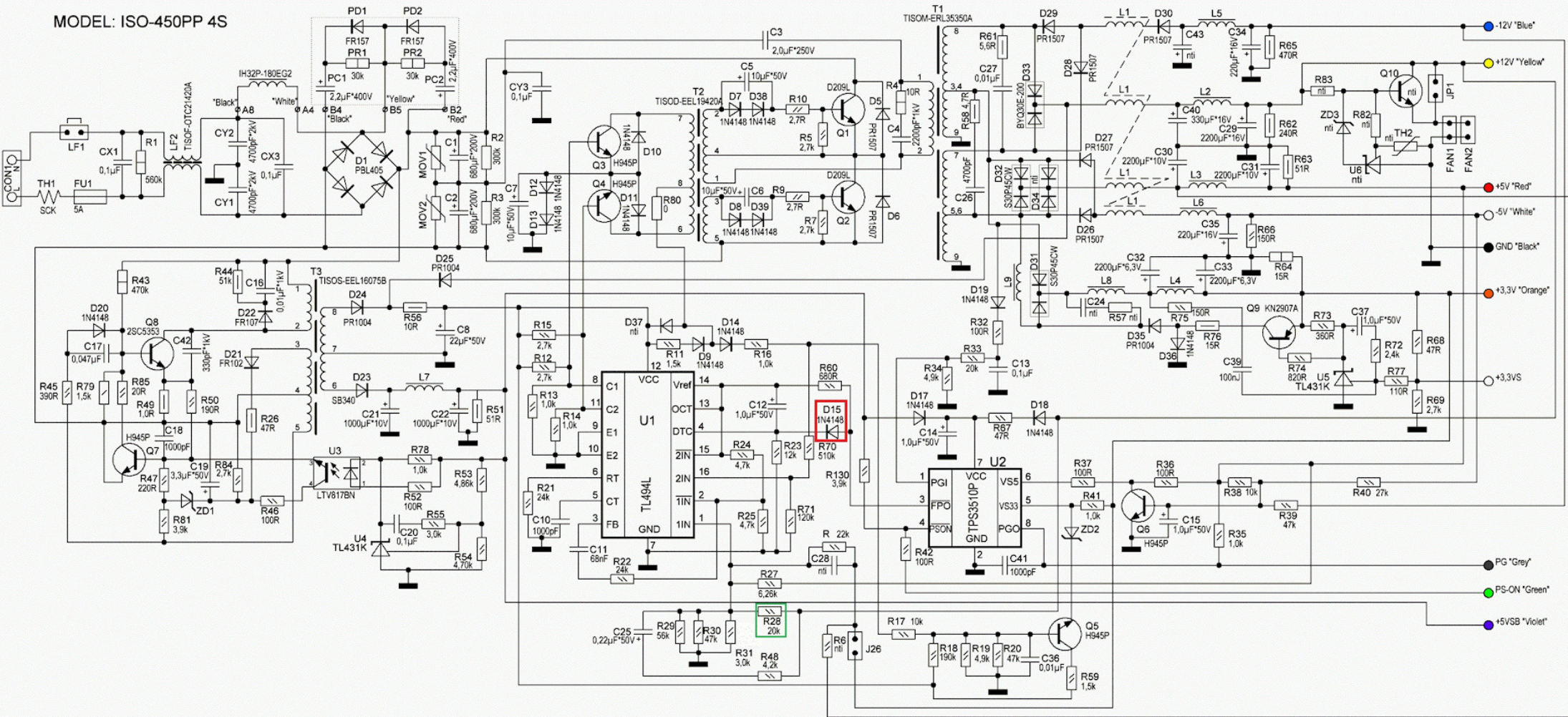
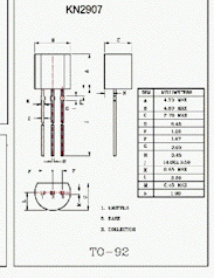
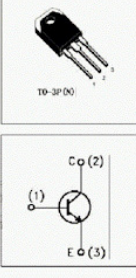


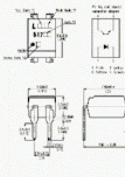
MODEL: ISO-450PP 4S



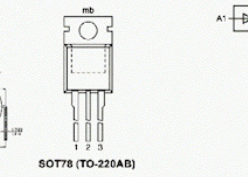
3DD209L



LTV817



BYQ30E-200



- -12V "Blue"
- +12V "Yellow"
- +5V "Red"
- -5V "White"
- GND "Black"
- +3.3V "Orange"
- +3.3VS
- PG "Grey"
- PS-ON "Green"
- +5VSB "Violet"