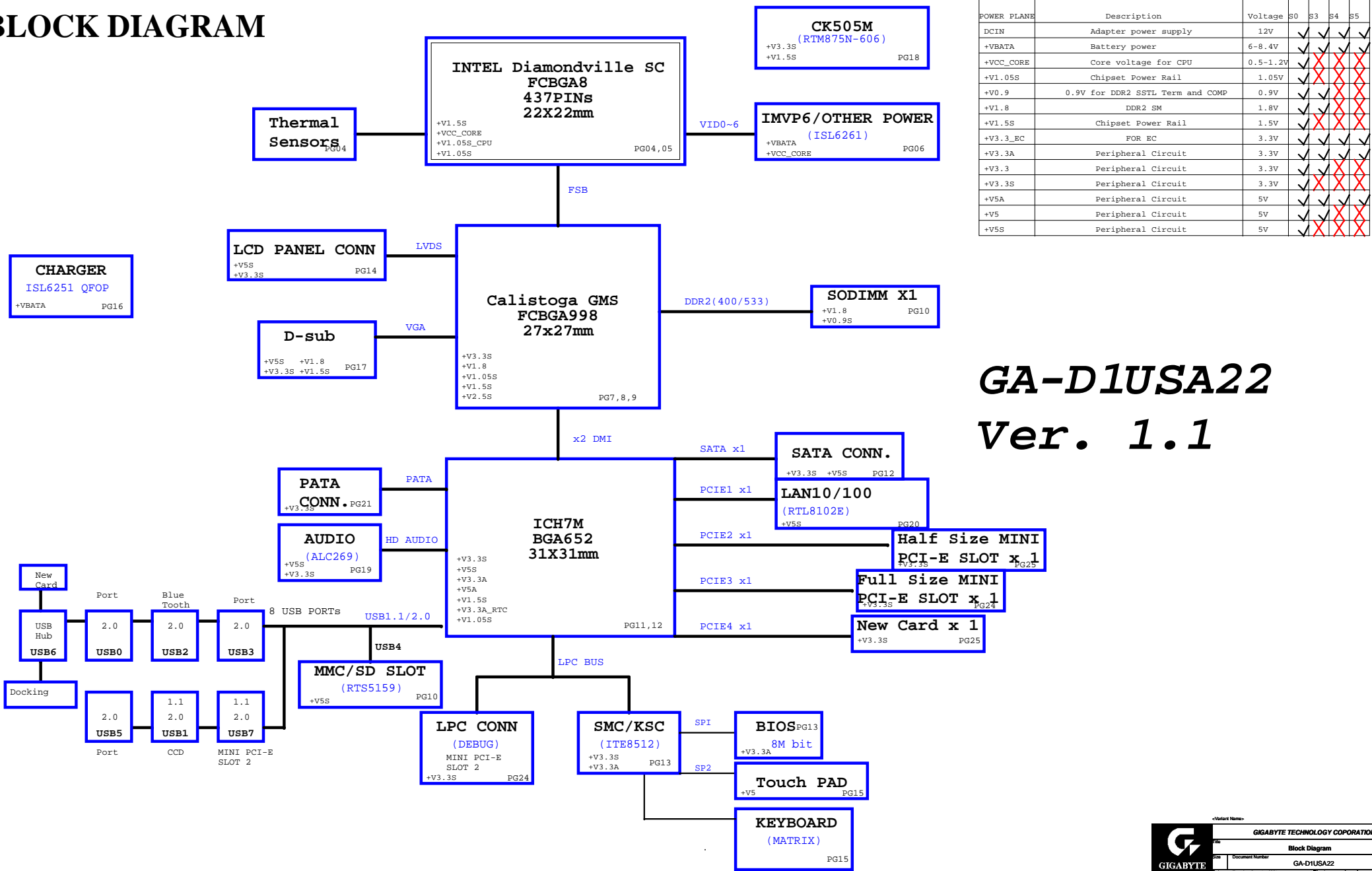
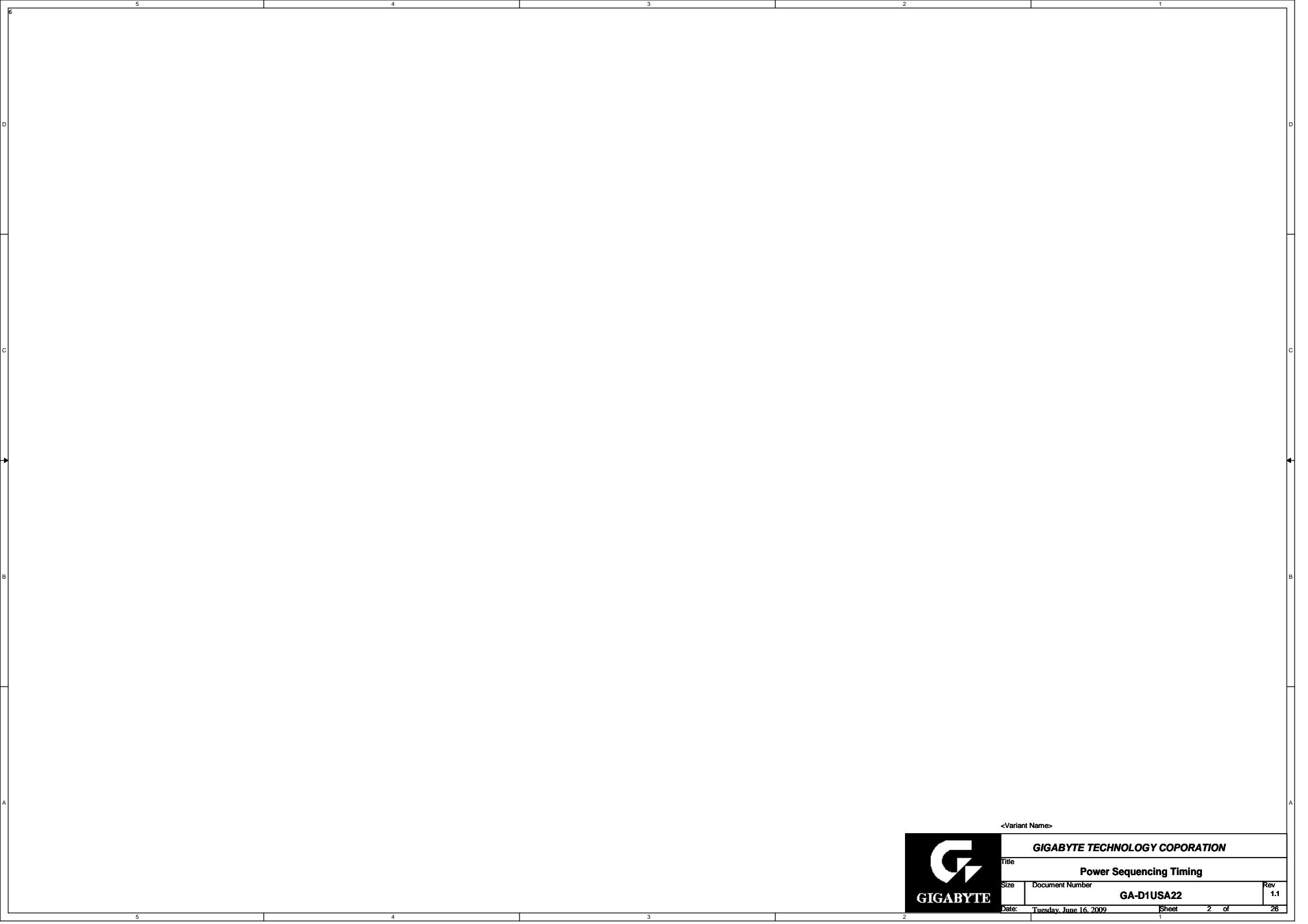


BLOCK DIAGRAM



GA-D1USA22 Ver. 1.1

POWER PLANE	Description	Voltage	S0	S3	S4	S5
DCIN	Adapter power supply	12V	✓	✓	✓	✓
+VBATA	Battery power	6-8.4V	✓	✓	✓	✓
+VCC_CORE	Core voltage for CPU	0.5-1.2V	✓	✗	✗	✗
+V1.05S	Chipset Power Rail	1.05V	✓	✗	✗	✗
+V0.9	0.9V for DDR2 SSTL Term and COMP	0.9V	✓	✗	✗	✗
+V1.8	DDR2 SM	1.8V	✓	✗	✗	✗
+V1.5S	Chipset Power Rail	1.5V	✓	✗	✗	✗
+V3.3_EC	FOR EC	3.3V	✓	✓	✓	✓
+V3.3A	Peripheral Circuit	3.3V	✓	✓	✓	✓
+V3.3	Peripheral Circuit	3.3V	✓	✗	✗	✗
+V3.3S	Peripheral Circuit	3.3V	✓	✗	✗	✗
+V5A	Peripheral Circuit	5V	✓	✗	✗	✗
+V5	Peripheral Circuit	5V	✓	✗	✗	✗
+V5S	Peripheral Circuit	5V	✓	✗	✗	✗



<Variant Name>



GIGABYTE TECHNOLOGY COPORATION

Title

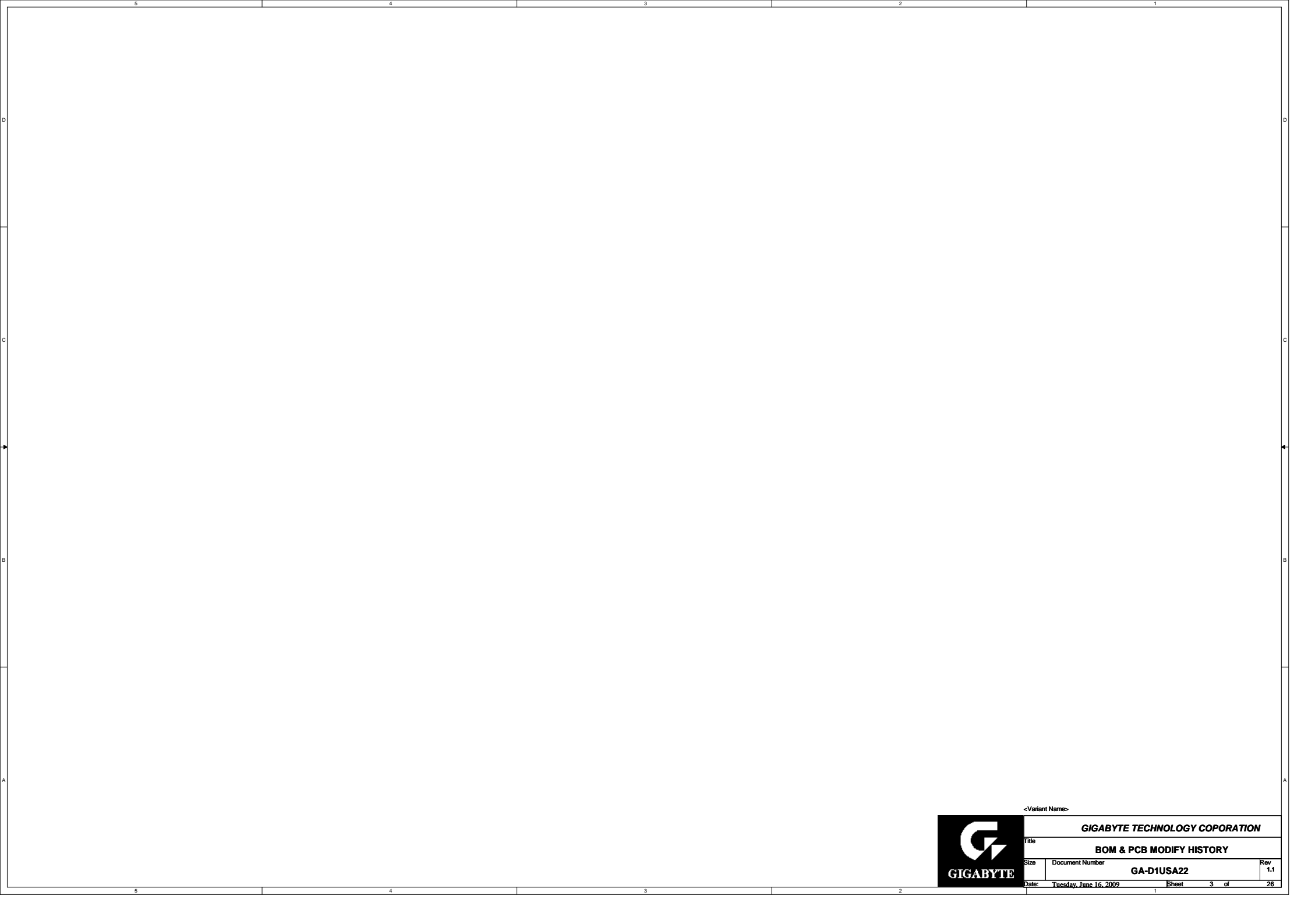
Power Sequencing Timing

Size Document Number Rev

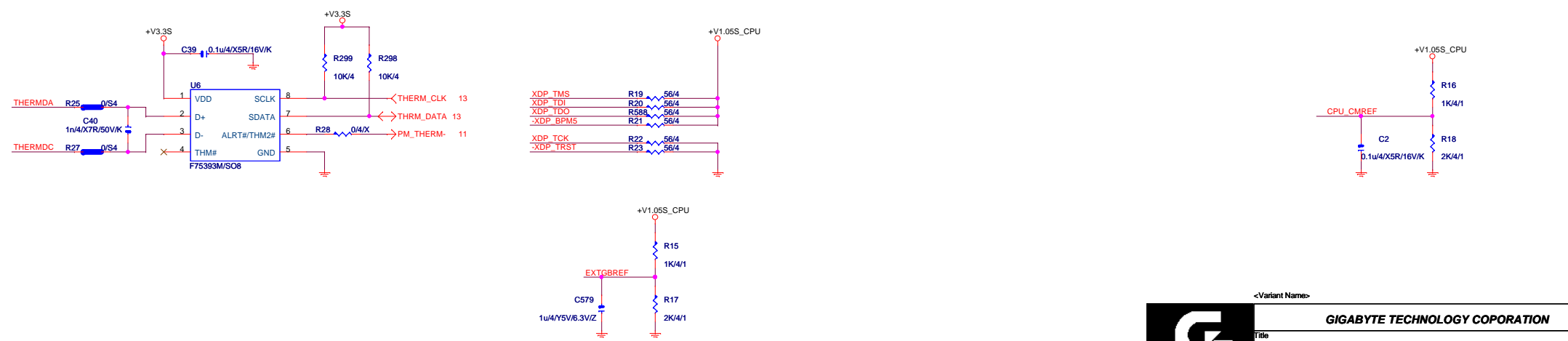
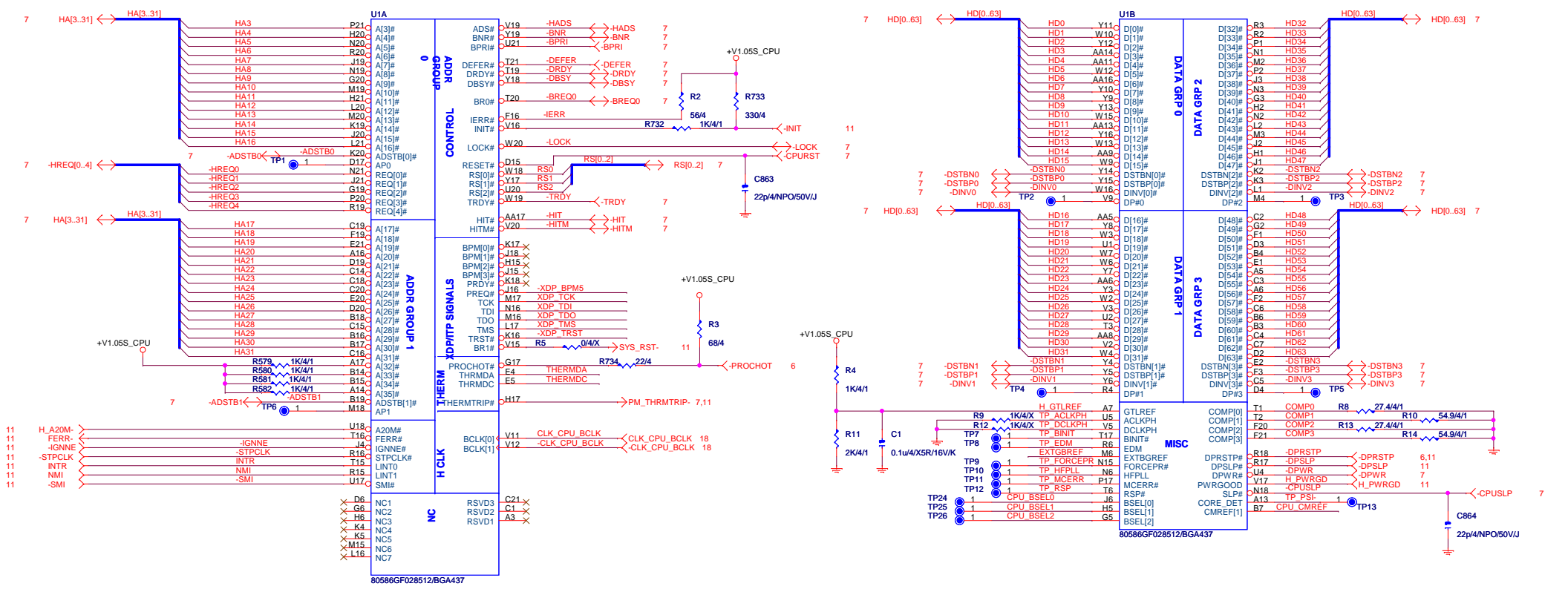
GA-D1USA22

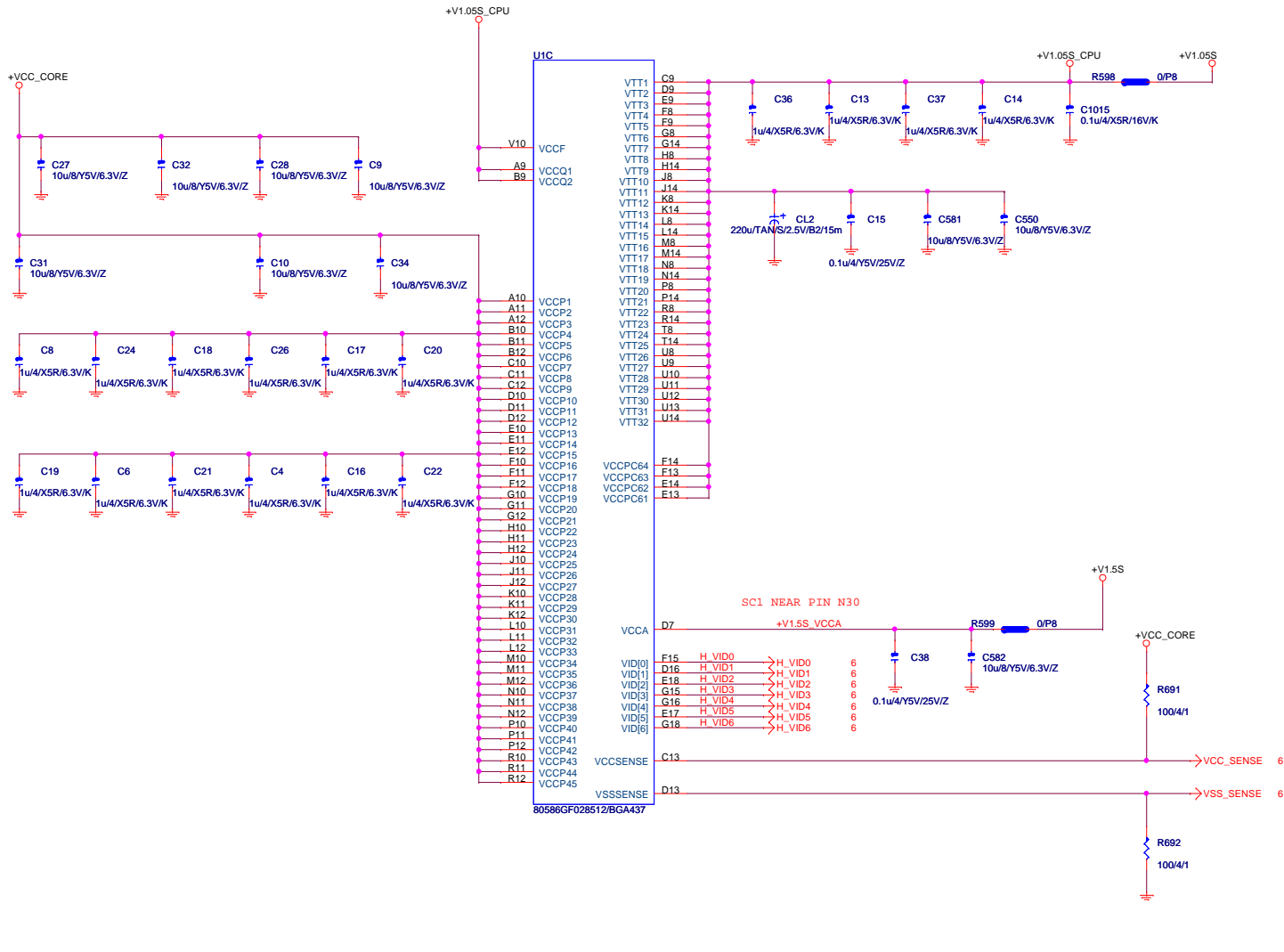
1.1

Date: **Tuesday, June 16, 2009** Sheet **2** of **26**




<Variant Name>		
GIGABYTE TECHNOLOGY CORPORATION		
Title BOM & PCB MODIFY HISTORY		
Size	Document Number	Rev
	GA-D1USA22	1.1
Date:	Tuesday, June 16, 2009	Sheet 3 of 26





UID		
A2	VSS1	N5
A4	VSS2	N7
A8	VSS4	N9
A15	VSS5	N13
A18	VSS6	N17
A19	VSS7	P3
A20	VSS8	P4
B1	VSS9	P5
B2	VSS10	P6
B5	VSS11	P7
B8	VSS12	P9
B13	VSS14	P13
B20	VSS15	P15
B21	VSS16	P16
C8	VSS17	P18
C17	VSS18	P19
D1	VSS19	R1
D5	VSS20	R5
D8	VSS21	R7
D14	VSS22	R9
D18	VSS23	R13
D21	VSS24	R21
E3	VSS25	T4
E6	VSS26	T5
E7	VSS27	T7
E8	VSS28	T9
F15	VSS29	T10
F16	VSS30	T11
F19	VSS31	T12
F4	VSS32	T13
F5	VSS33	T18
F6	VSS34	U3
F7	VSS35	U6
F17	VSS36	U7
F18	VSS37	U15
G1	VSS38	U16
G4	VSS39	U19
G7	VSS40	V1
G9	VSS41	V4
G13	VSS42	V6
G21	VSS43	V7
H3	VSS44	V13
H4	VSS45	V14
H7	VSS46	V18
H9	VSS47	V21
H13	VSS48	W1
H16	VSS49	W5
H18	VSS50	W8
H19	VSS51	W11
J5	VSS52	W14
J7	VSS53	W17
J9	VSS54	W21
J13	VSS55	Y1
J17	VSS56	Y2
K1	VSS57	Y20
K6	VSS58	Y21
K7	VSS59	AA2
K9	VSS60	AA3
K15	VSS61	AA4
K15	VSS62	AA7
L3	VSS63	AA10
L4	VSS64	AA12
L6	VSS65	AA15
L6	VSS66	AA18
L7	VSS67	AA19
L9	VSS68	AA20
L13	VSS69	
L15	VSS70	
L18	VSS71	
L19	VSS72	
M1	VSS73	
M5	VSS74	
M7	VSS75	
M9	VSS76	
M13	VSS77	
M21	VSS78	
N4	VSS79	
	VSS80	
	VSS81	
	VSS82	
	VSS83	
	VSS84	

<Variant Name>

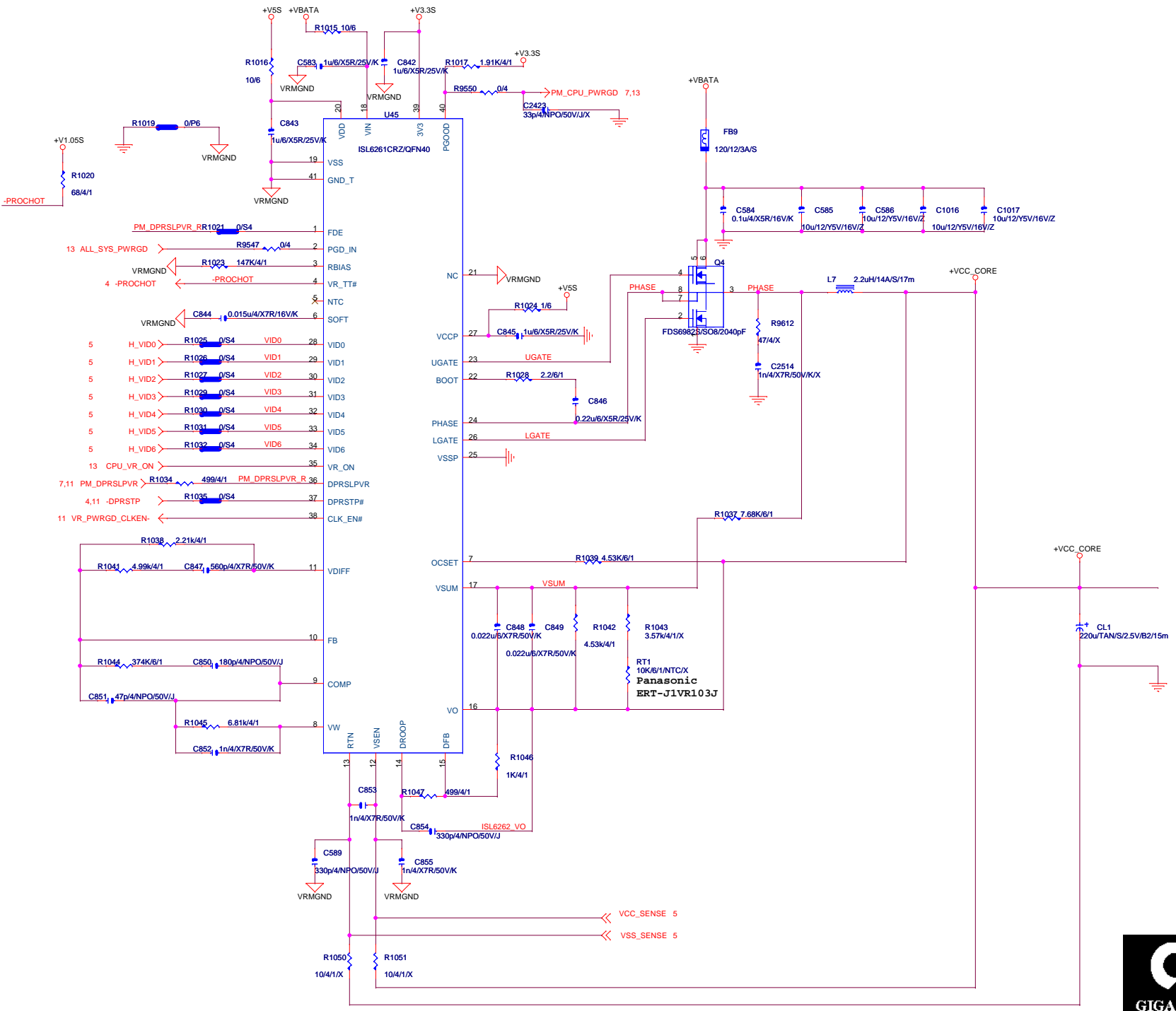


GIGABYTE TECHNOLOGY CORPORATION

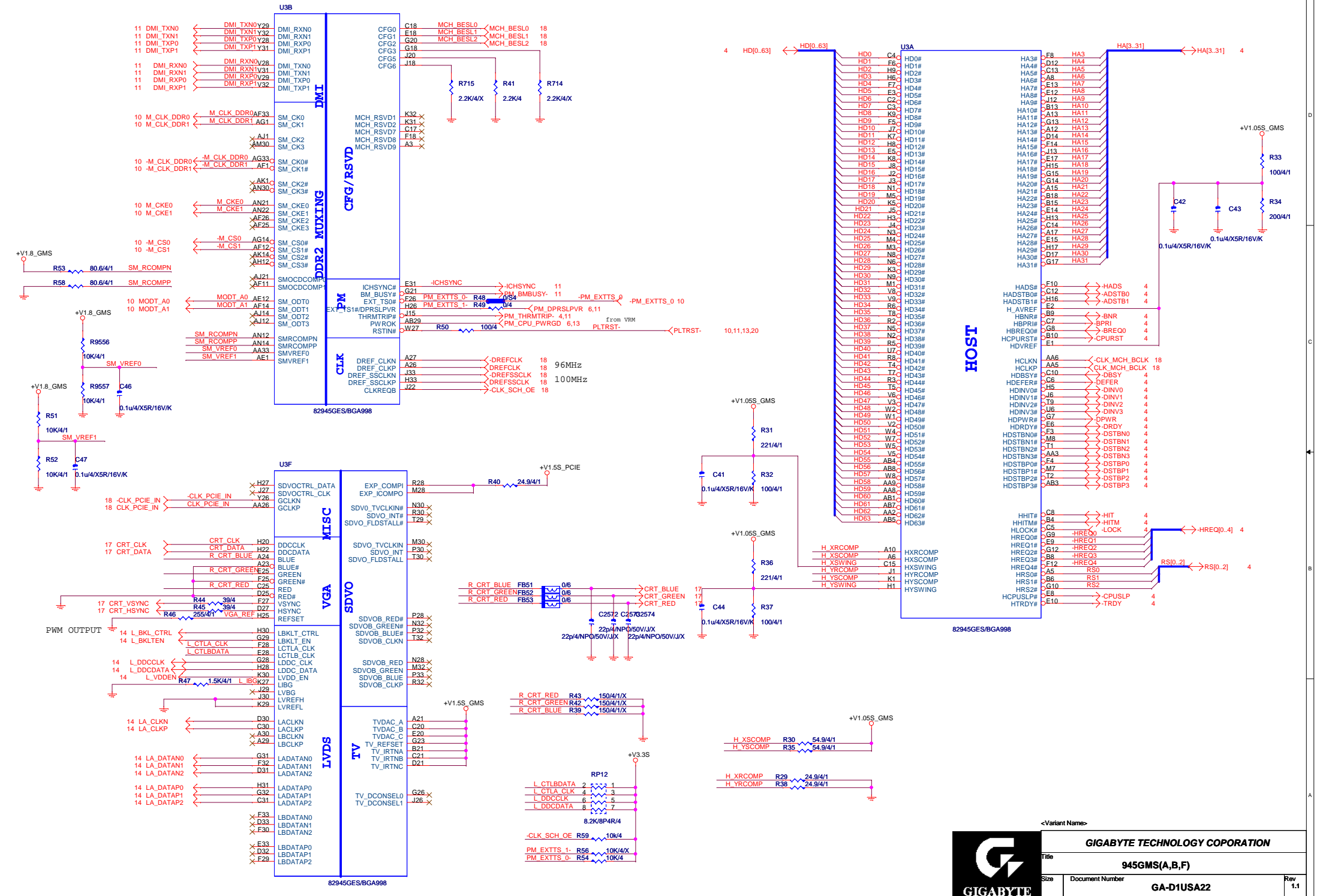
Title: **Diamondville(C,D)**

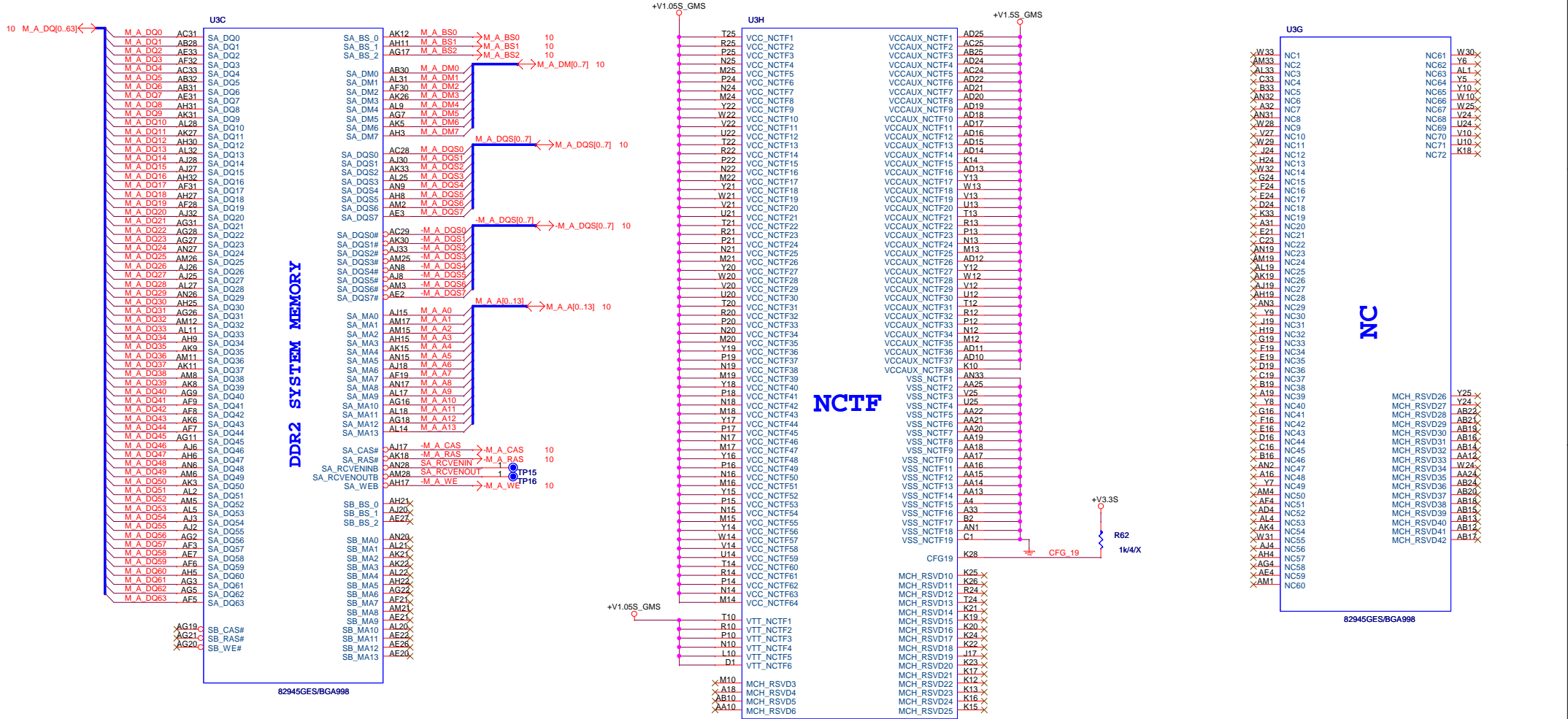
Size	Document Number	Rev
	GA-D1USA22	1.1

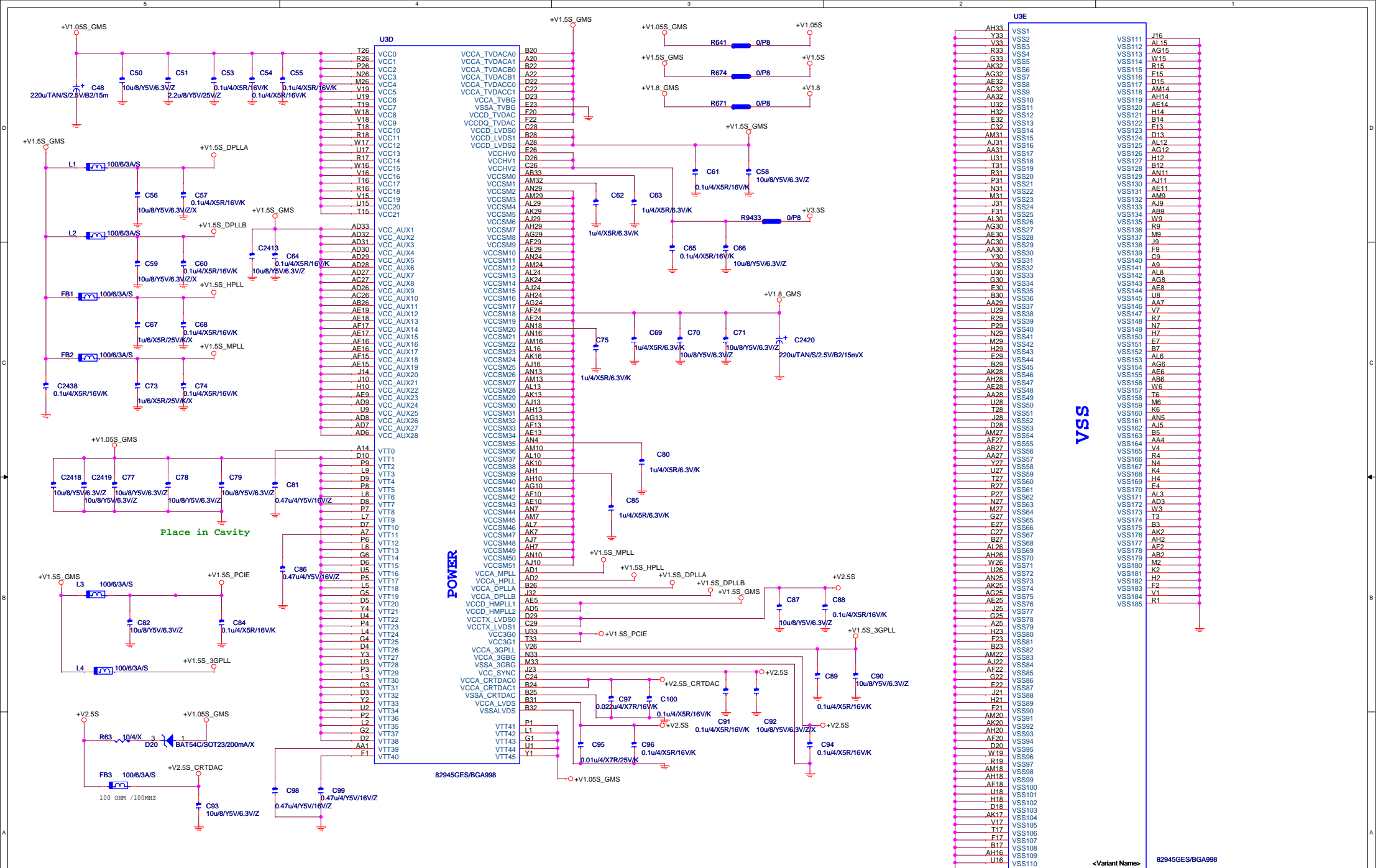
Date: Tuesday, June 16, 2009 Sheet 5 of 26

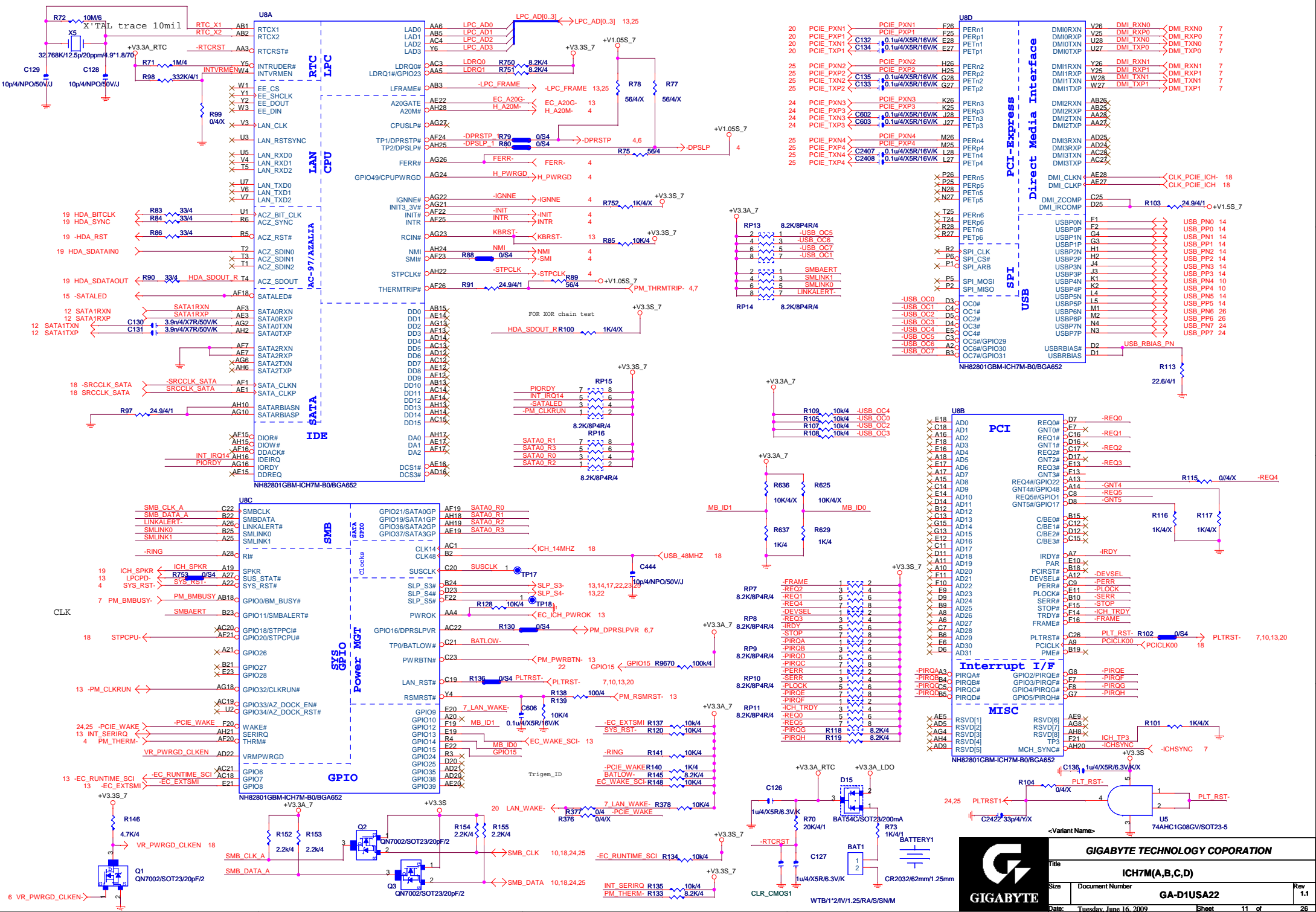


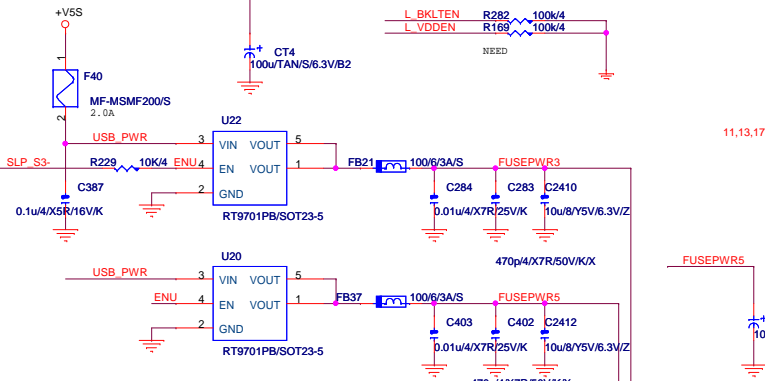
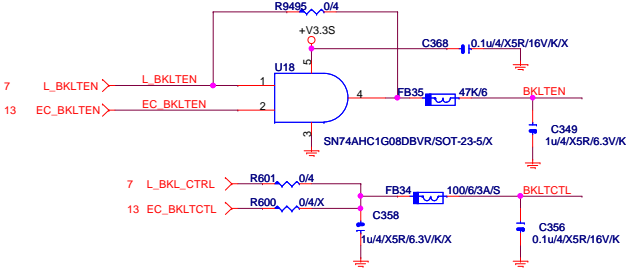
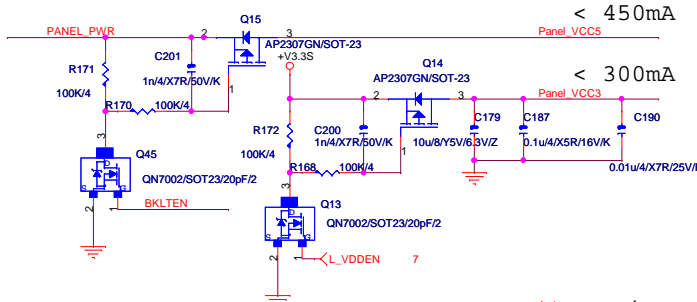
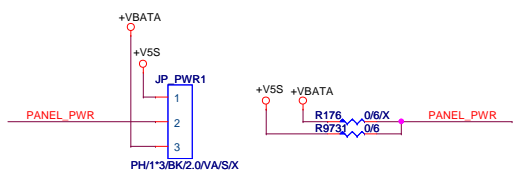
-<Variant Name>	
GIGABYTE TECHNOLOGY COPORATION	
CPU IMVP6	
Size	Document Number
	GA-D1USA22
Date: Tuesday, June 16, 2009	Rev 1.1
Sheet 6 of 26	





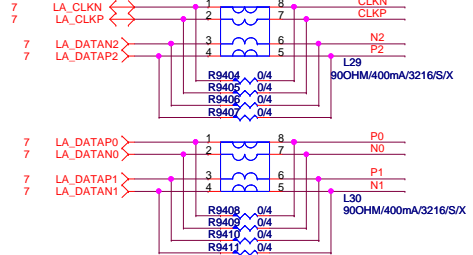






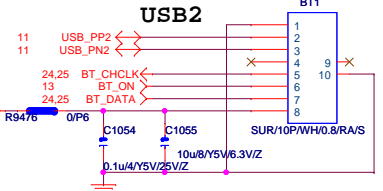
USB1

USB0



LVDS

BLUETOOTH CONNECTOR



USB3

USB2



GIGABYTE TECHNOLOGY CORPORATION

LCD Panel, Touch screen, USB CONN

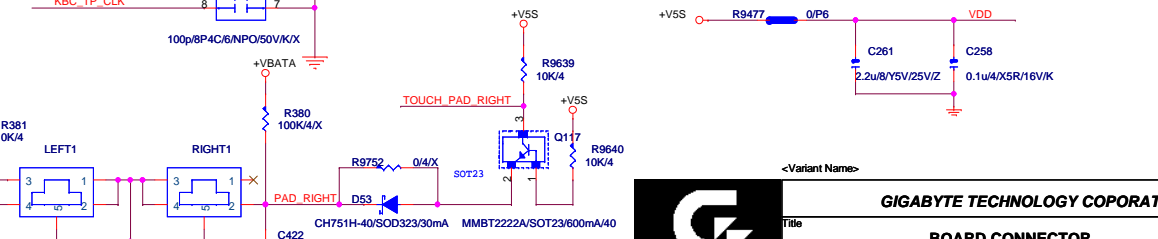
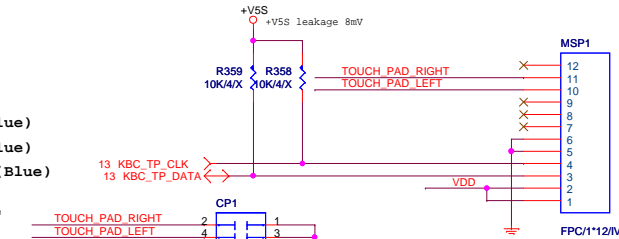
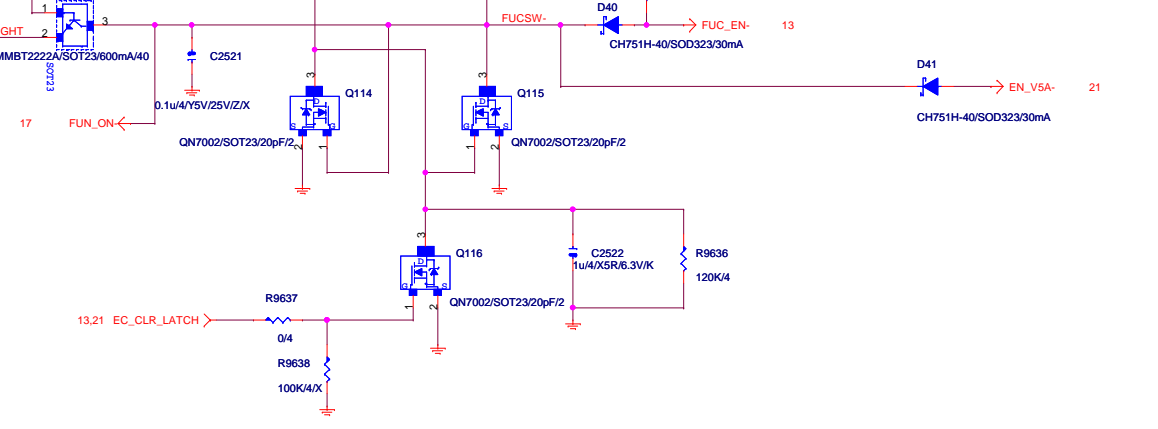
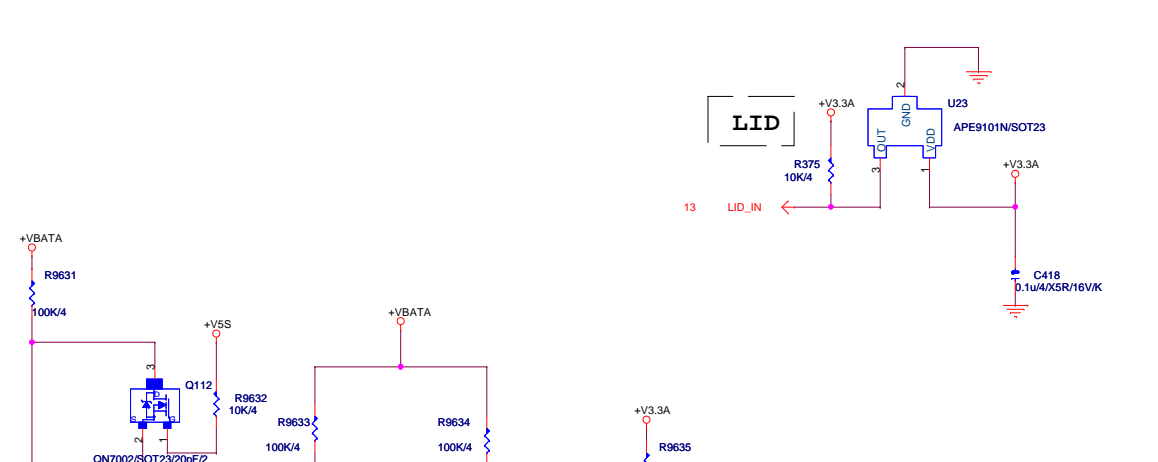
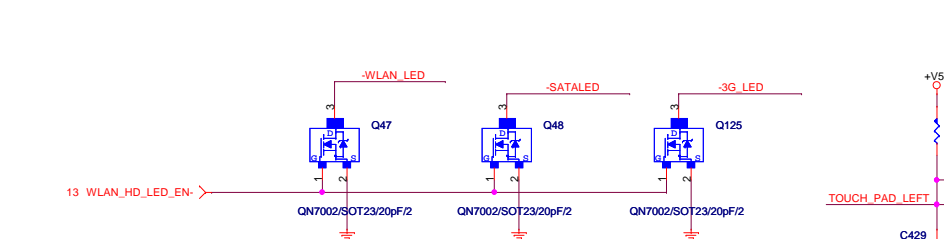
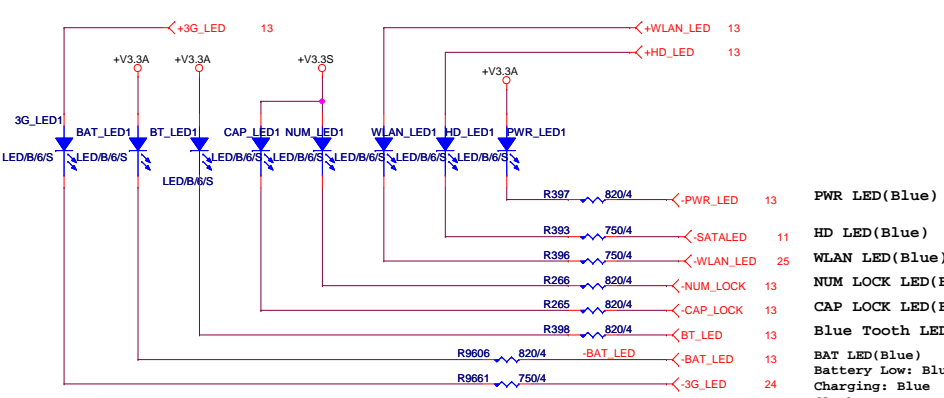
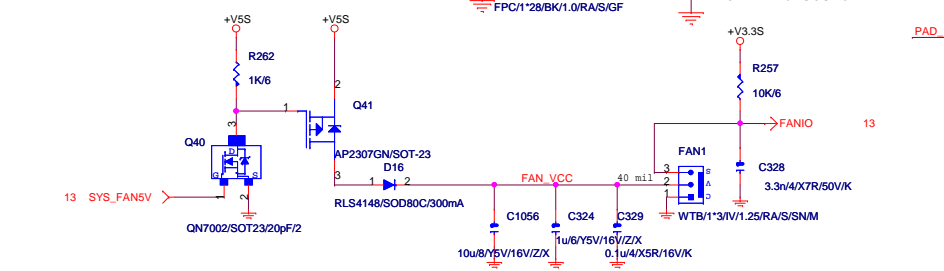
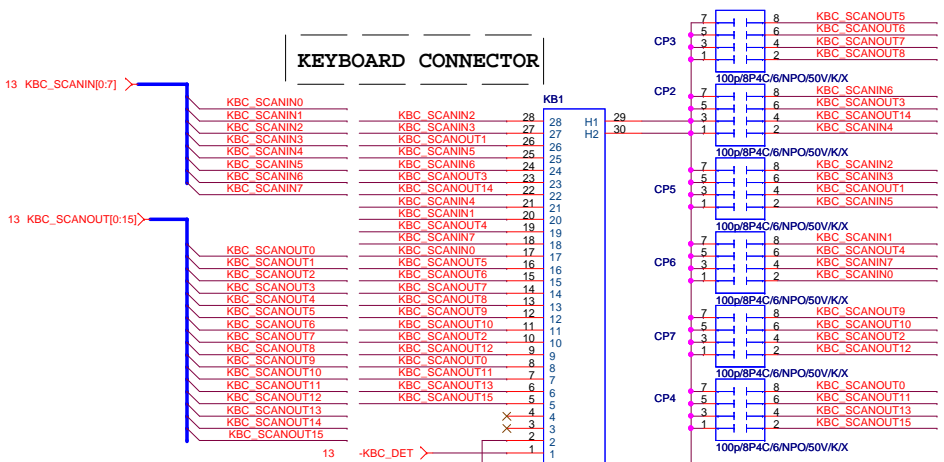
Title: GA-D1USA22

Size: Document Number: Date: Tuesday, June 16, 2009

Sheet: 14 of 26

Rev: 1.1

KEYBOARD CONNECTOR



TOUCH PAD CONNECTOR

GIGABYTE TECHNOLOGY CORPORATION

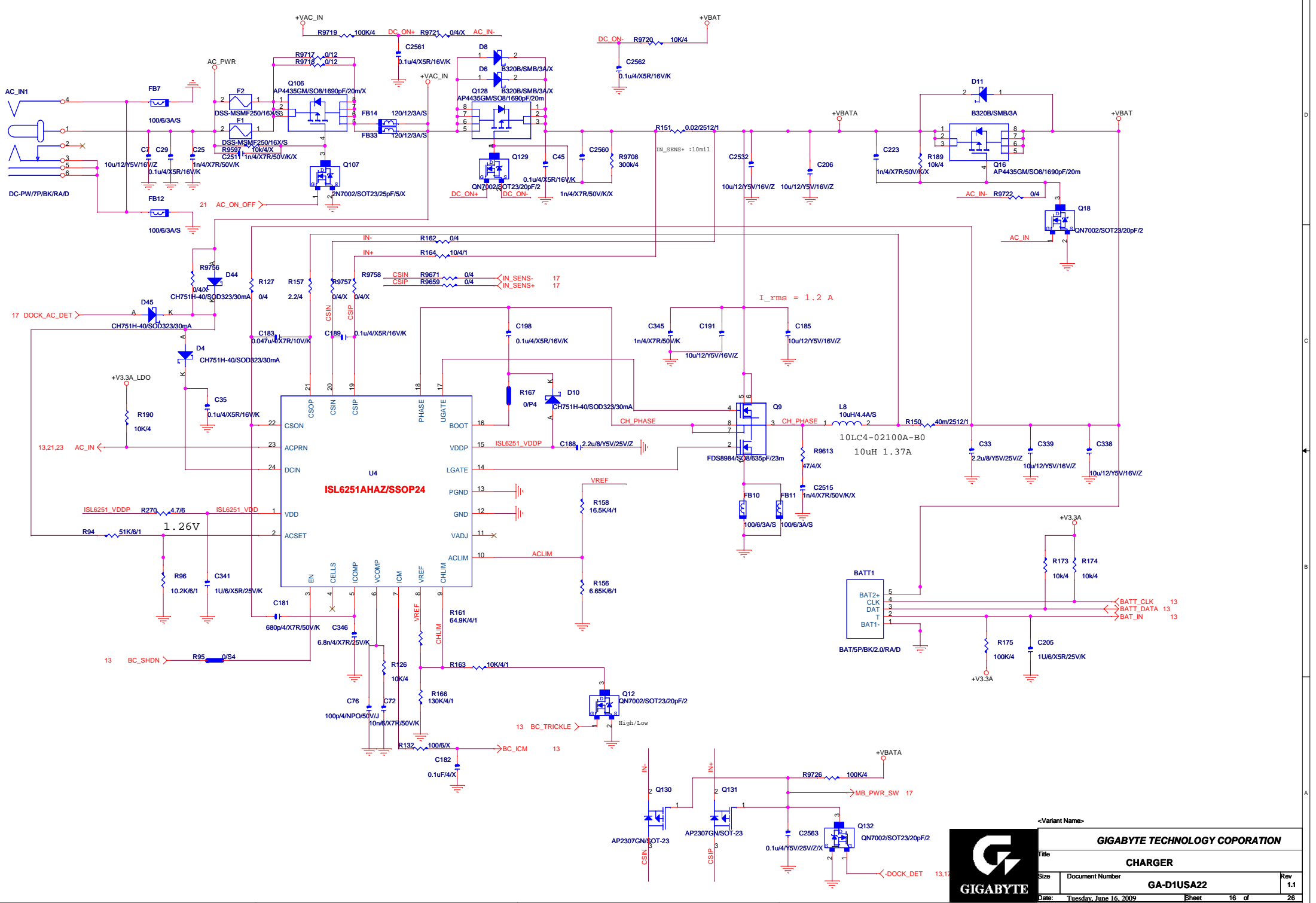
BOARD CONNECTOR

GA-D1USA22

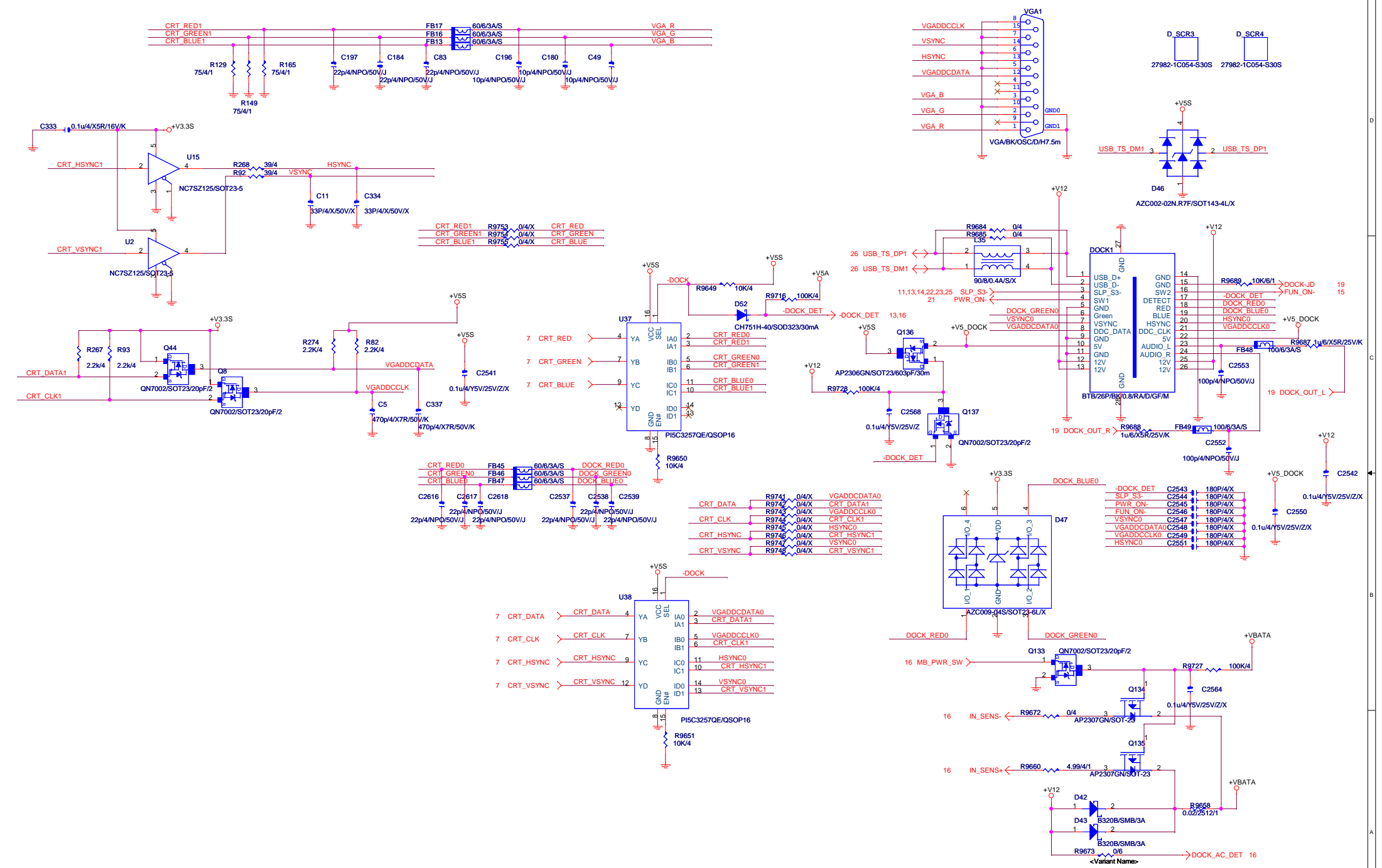
Rev 1.1

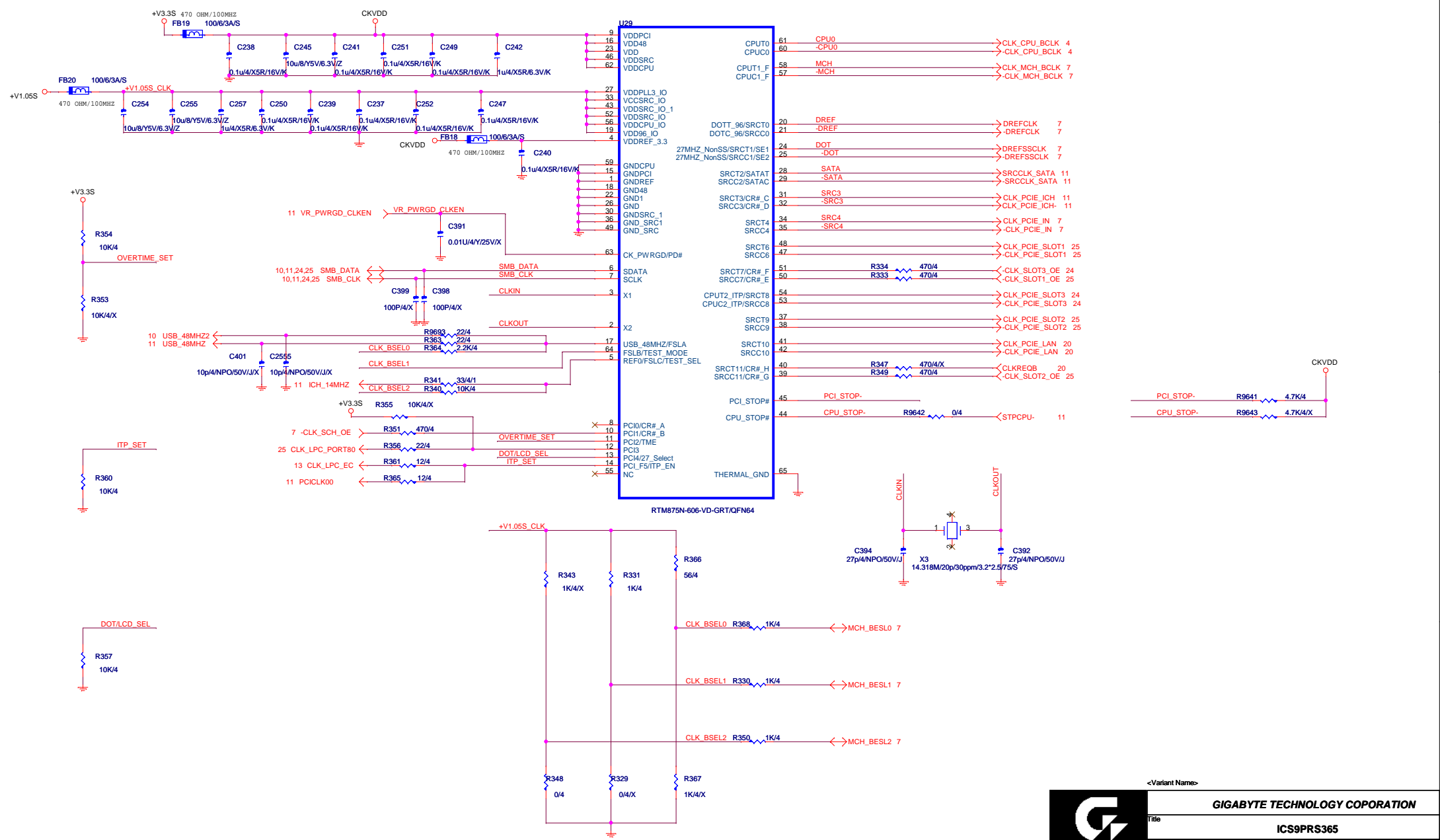
Date: Tuesday, June 16, 2009

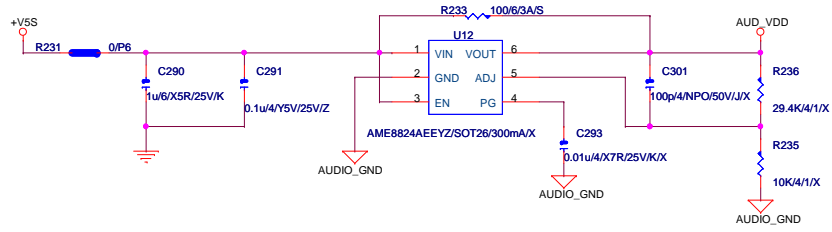
Sheet 15 of 26



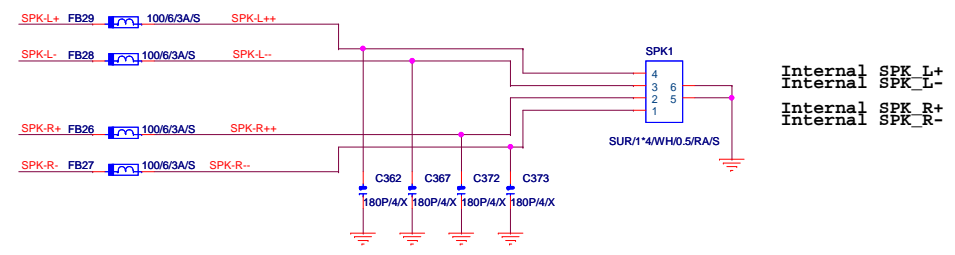
GIGABYTE TECHNOLOGY CORPORATION			
Title: CHARGER			
Size	Document Number	GA-D1USA22	Rev 1.1
Date:	Tuesday, June 16, 2009	Sheet	16 of 26



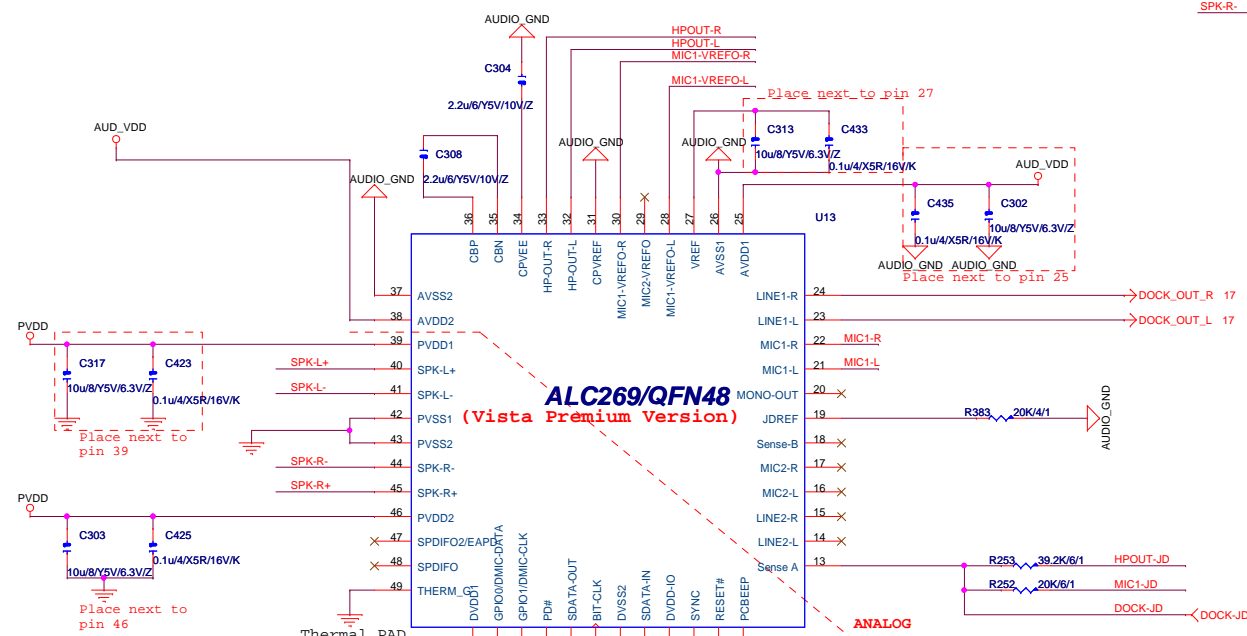




Above 10mils

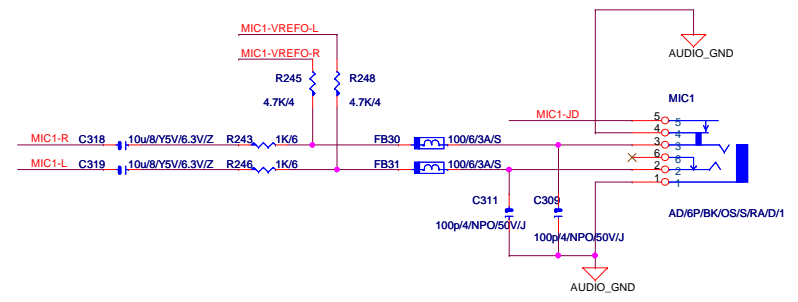
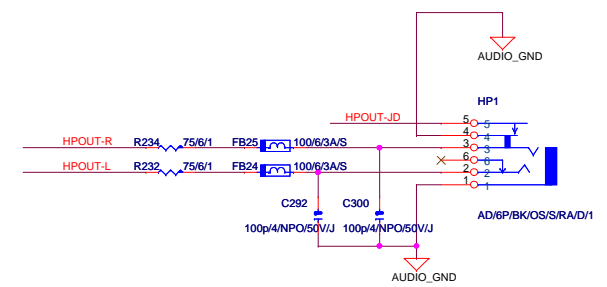
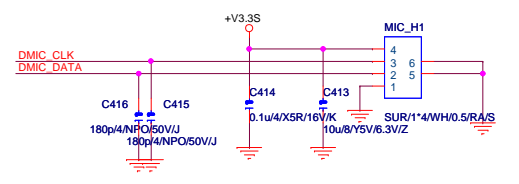


Internal SPK L+
Internal SPK L-
Internal SPK R+
Internal SPK R-



ALC269/QFN48
(Vista Premium Version)

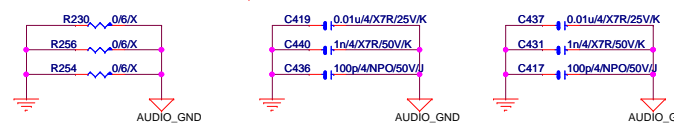
ANALOG
DIGITAL

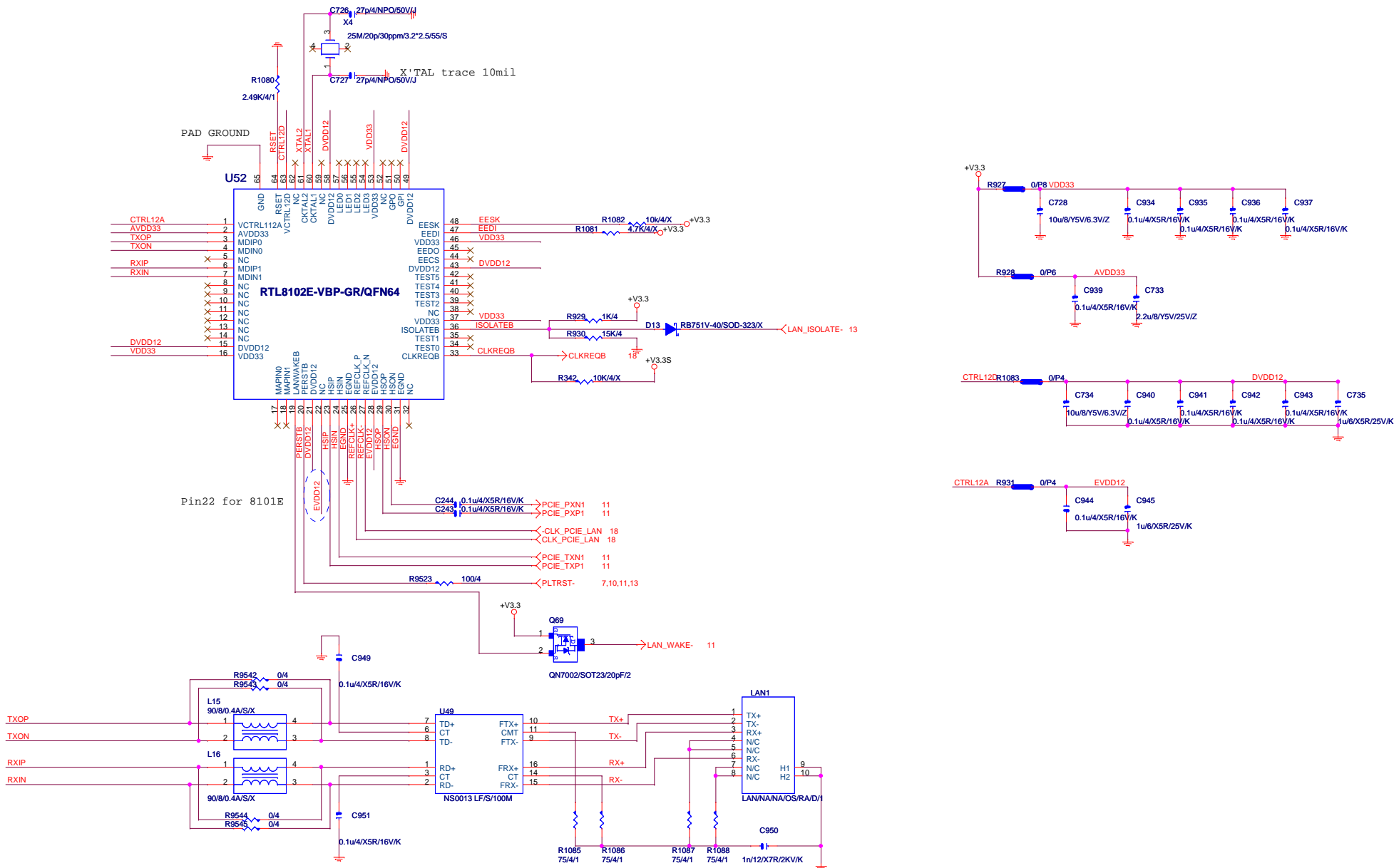


<Variant Name>



GIGABYTE TECHNOLOGY CORPORATION			
Title	ALC269		
Size	Document Number	GA-D1USA22	
Date:	Tuesday, June 16, 2009	Sheet	19 of 26
Rev			1.1

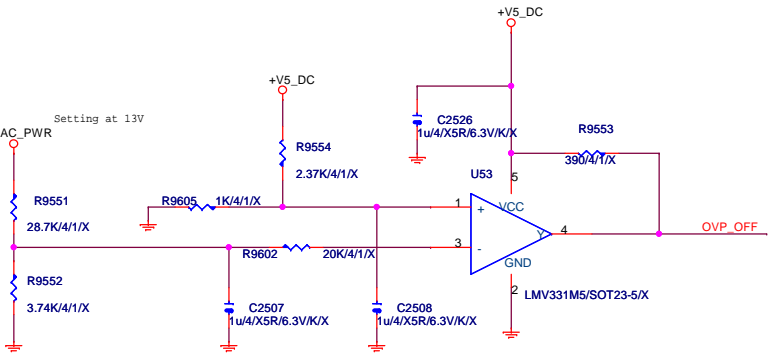
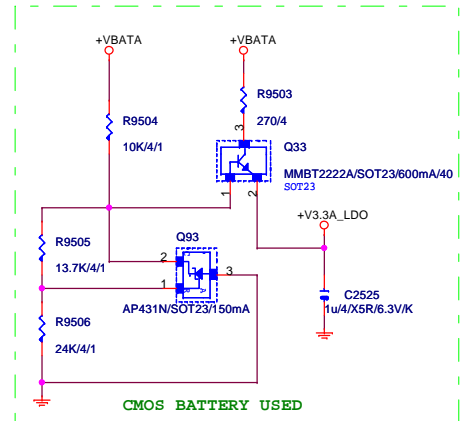
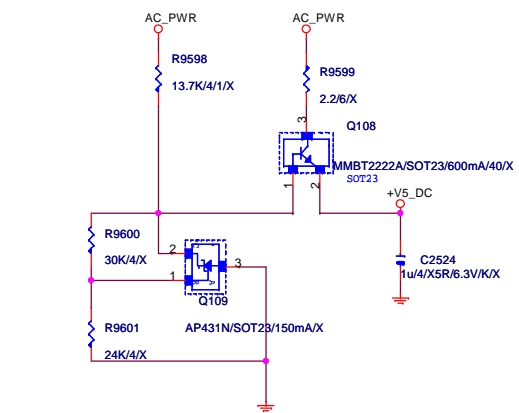
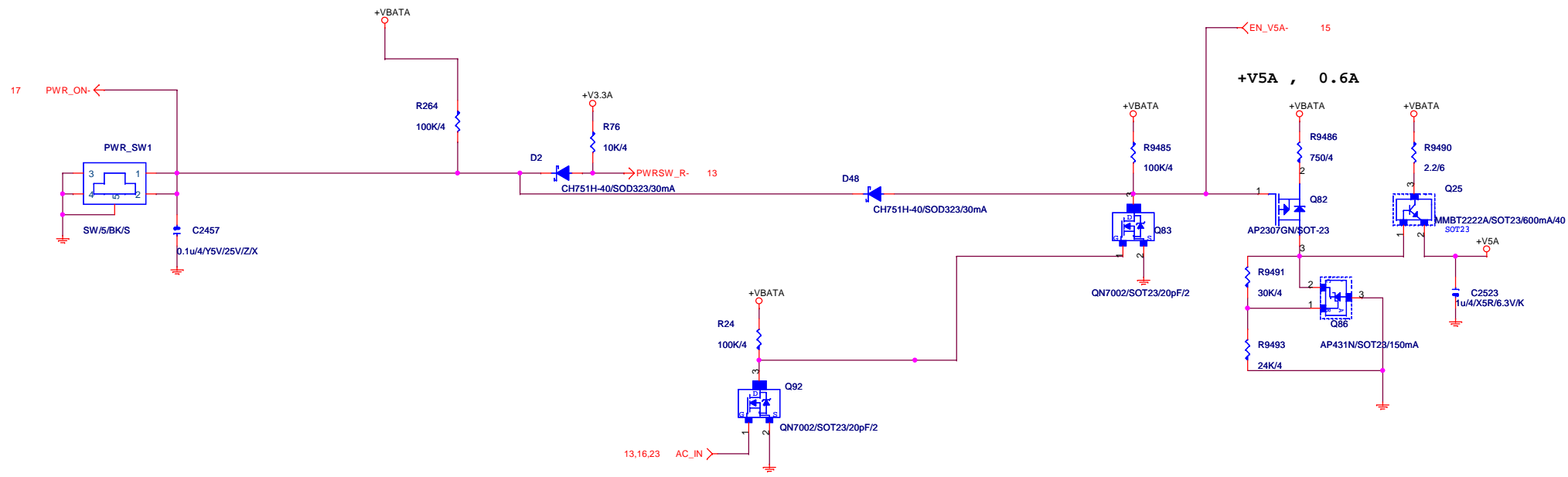




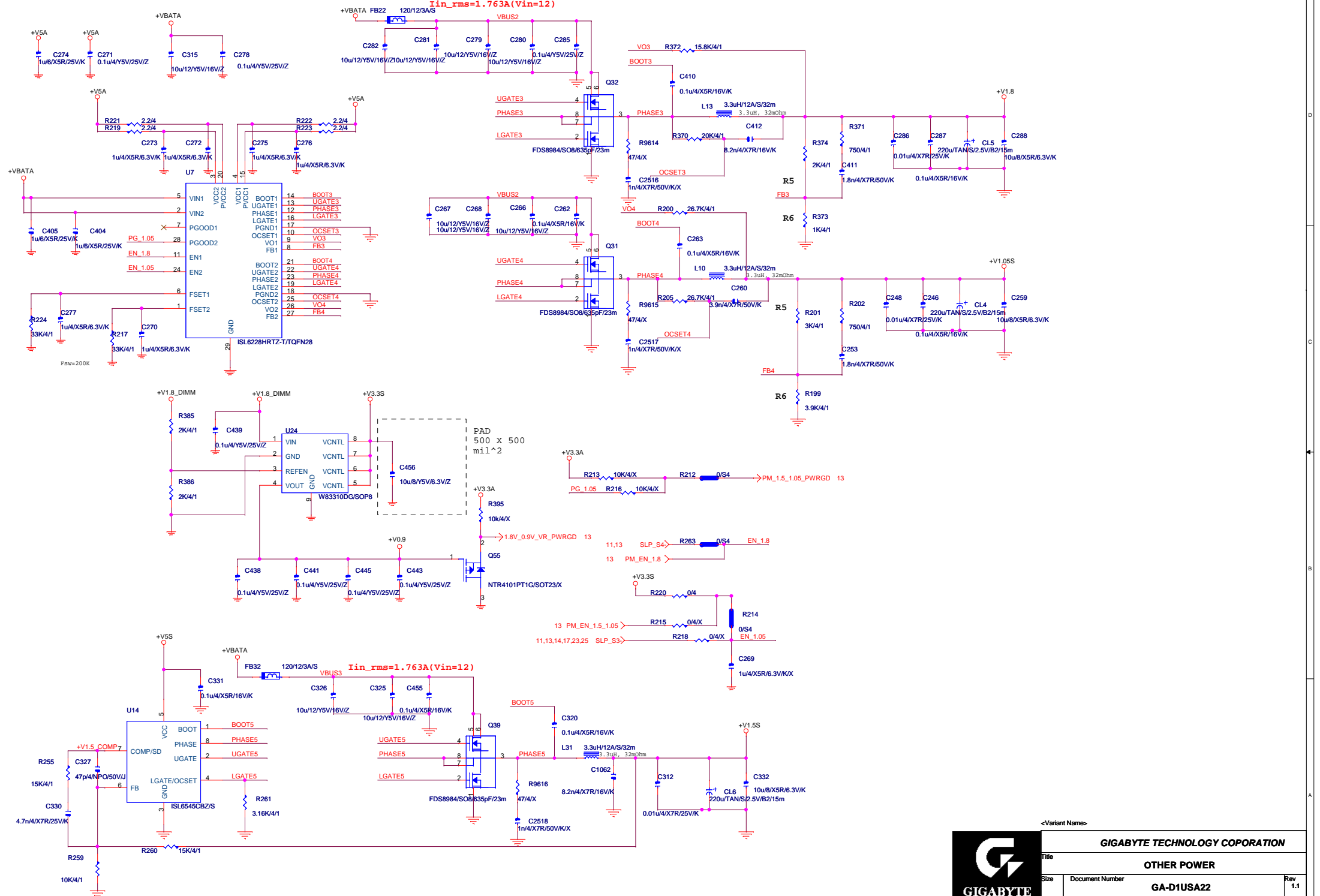
<Variant Name>



GIGABYTE TECHNOLOGY CORPORATION			
Title RTL8102E			
Size	Document Number	Rev	
	GA-D1USA22	1.1	
Date:	Tuesday, June 16, 2009	Sheet	20 of 26

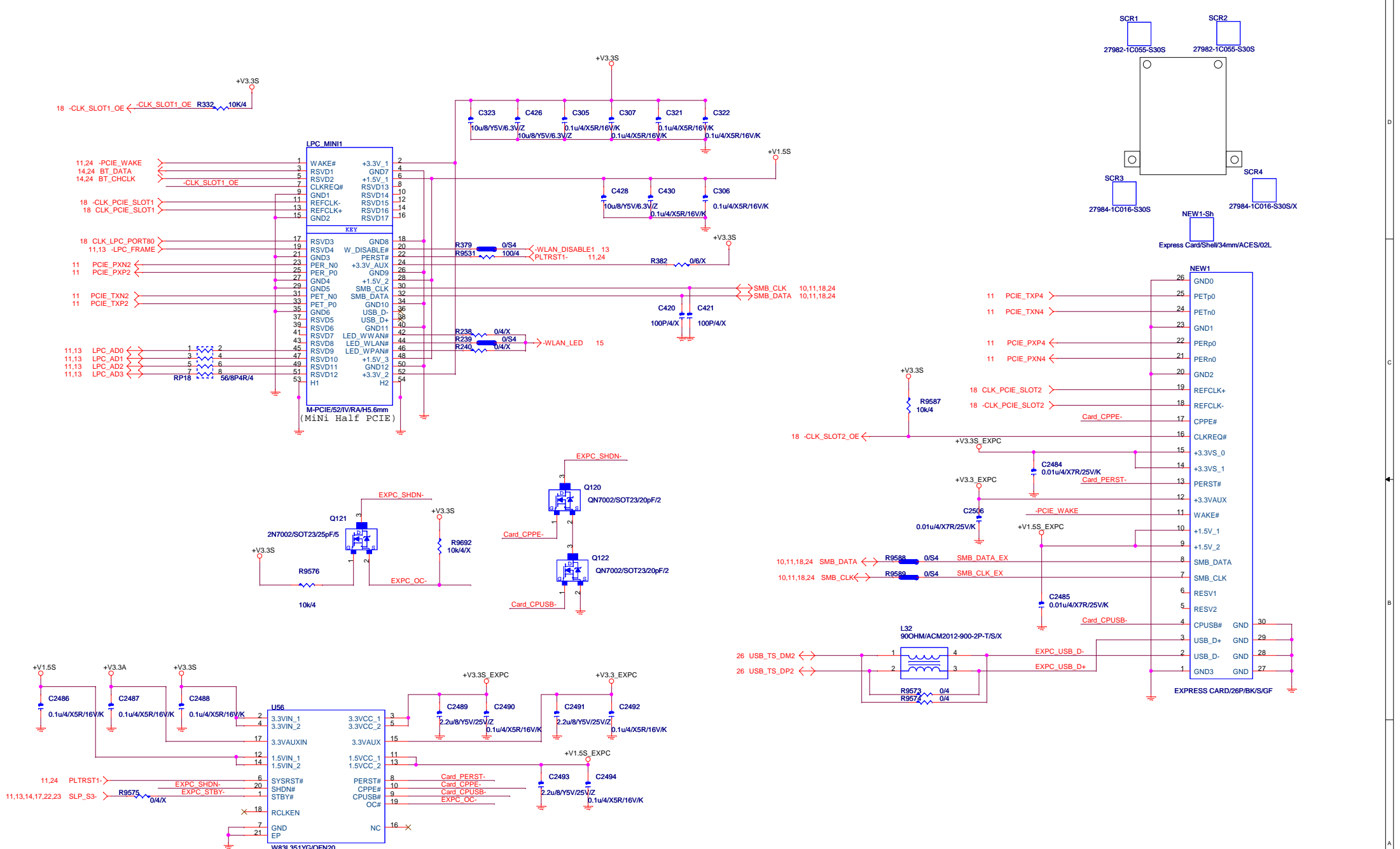


CMOS BATTERY USED




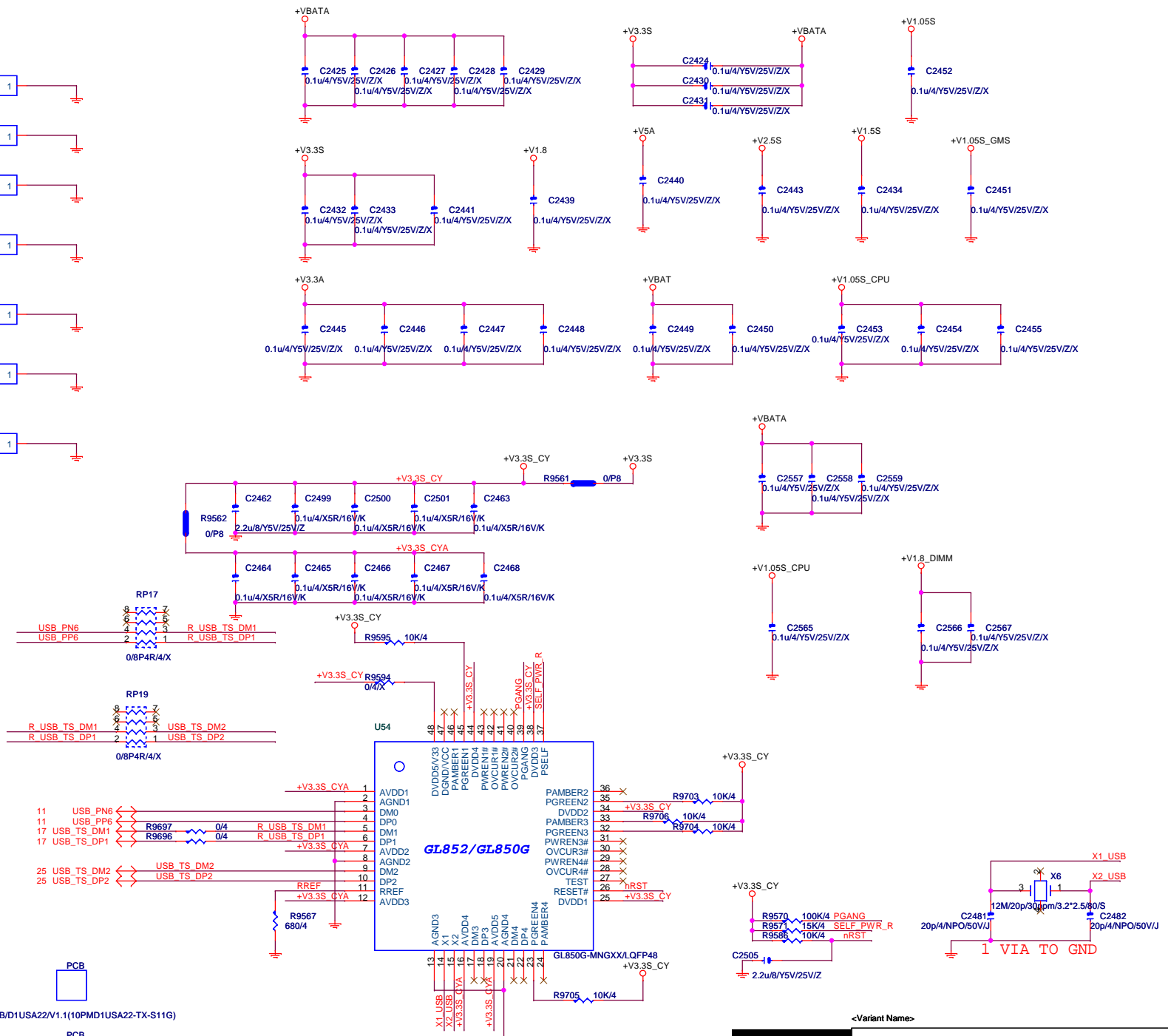
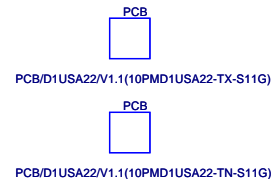
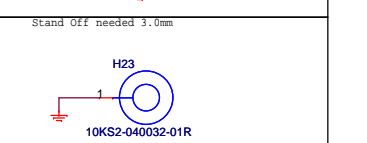
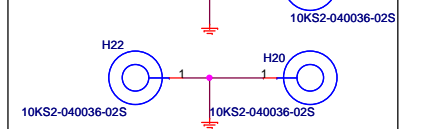
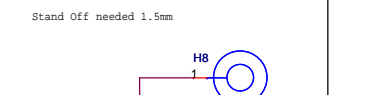
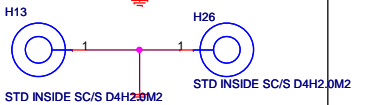
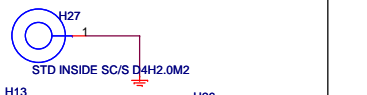
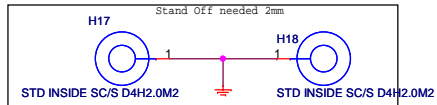
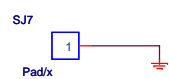
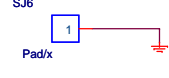
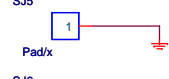
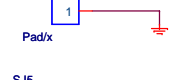
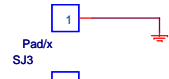
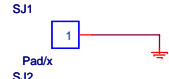
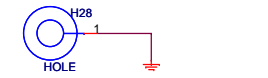
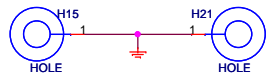
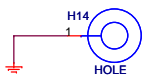
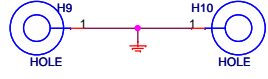
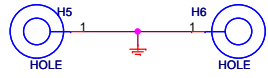
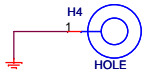
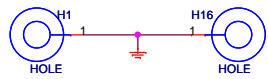
<Variant Name>

GIGABYTE TECHNOLOGY CORPORATION			
Title	OTHER POWER		
Size	Document Number	GA-D1USA22	Rev 1.1
Date:	Tuesday, June 16, 2009	Sheet	22 of 26



PIN CPPE# and CPUSB# internal pull up to AUXIN

		GIGABYTE TECHNOLOGY COPORATION	
		NEW CARD	
Title	Document Number		Rev
	GA-D1USA22		1.1
Date:	Tuesday, June 16, 2009	Sheet	25 of 26



GIGABYTE

GIGABYTE TECHNOLOGY CORPORATION

Title: **Screws, EMI CAP**

Size: Document Number: **GA-D1USA22** Rev: **1.1**

Date: Tuesday, June 16, 2009 Sheet: 26 of 26