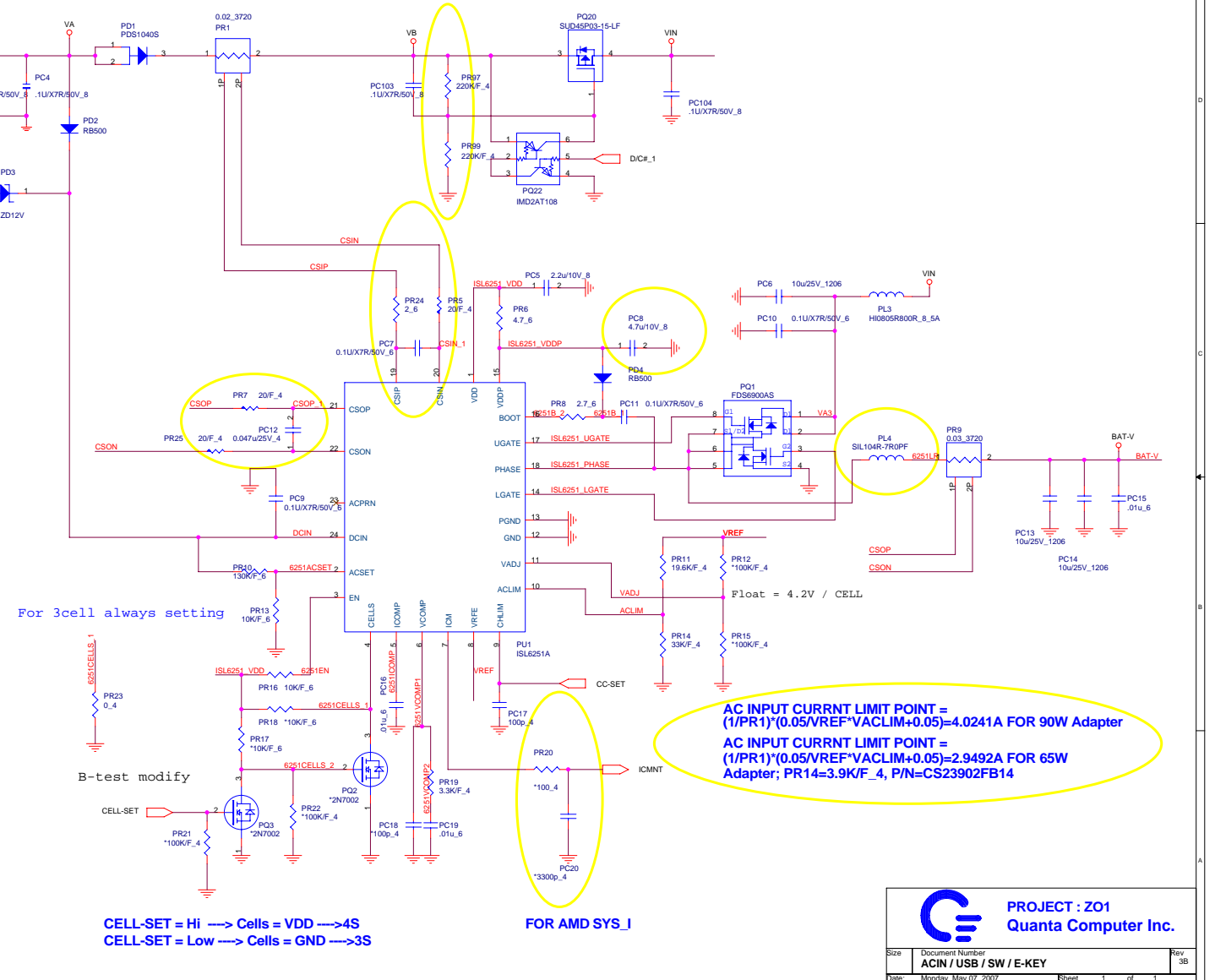
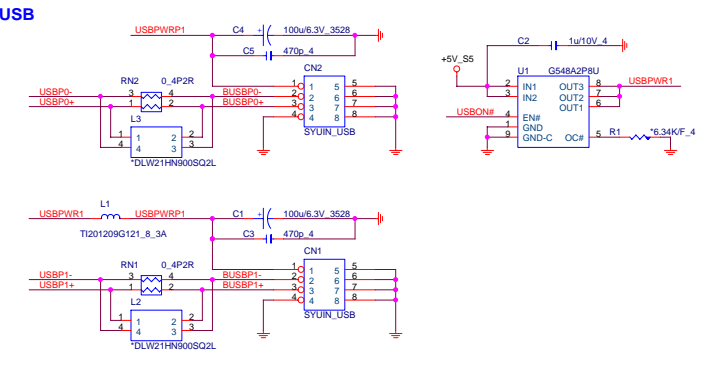
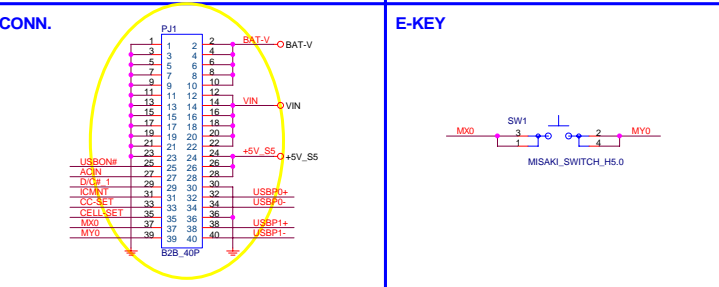
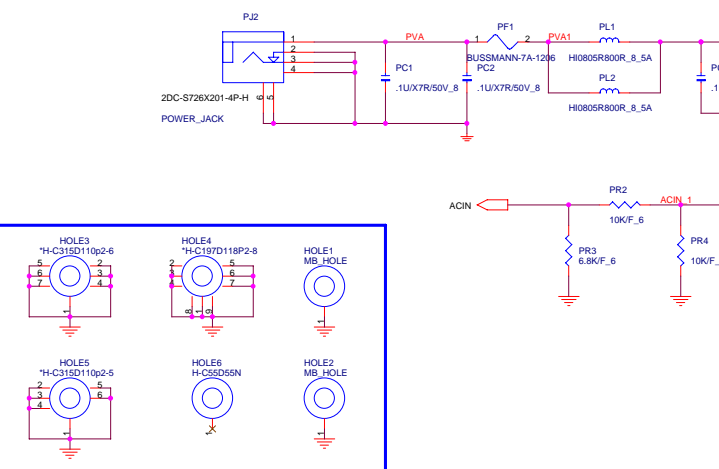


UMA 65W(YELLOW) PN: DFPJ04MR161
MXM 90W(BLUE) PN: DFPJ04MR000



For 3cell always setting

B-test modify

CELL-SET = Hi -> Cells = VDD -> 4S
CELL-SET = Low -> Cells = GND -> 3S

FOR AMD SYS_I

AC INPUT CURRNT LIMIT POINT = $(1/PR1) * (0.05/VREF * VACLIM + 0.05) = 4.0241A$ FOR 90W Adapter
 AC INPUT CURRNT LIMIT POINT = $(1/PR1) * (0.05/VREF * VACLIM + 0.05) = 2.9492A$ FOR 65W Adapter; PR14=3.9K/F_4, P/N=CS23902FB14