

N-Channel Enhancement Mode Power MOSFET

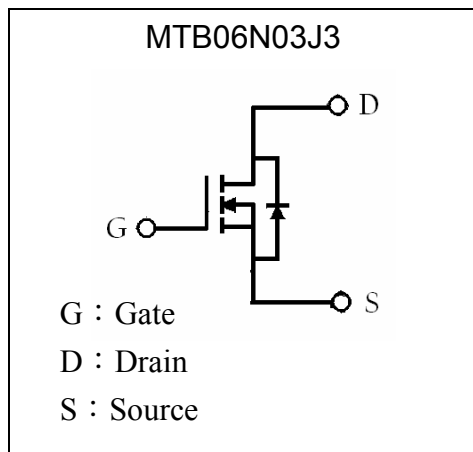
MTB06N03J3

BV_{DSS}	30V
I_D	80A
$R_{DS(ON)}$	6m Ω

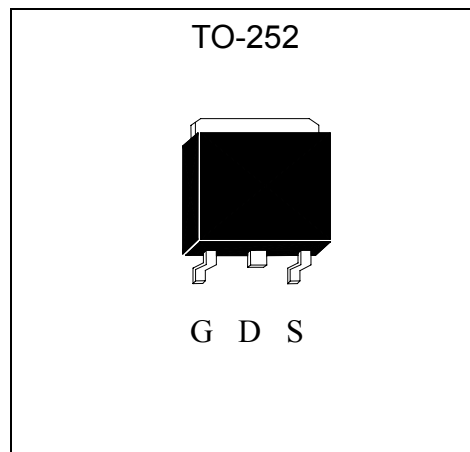
Features

- 100% UIS testing, @ $V_D=15V$, $L=0.1mH$, $V_G=10V$, $I_L=40V$, rated $V_{DS}=25V$ N-CH
- Simple Drive Requirement
- Repetitive Avalanche Rated
- Fast Switching Characteristic
- RoHS compliant package & Halogen-free package

Symbol



Outline



Absolute Maximum Ratings (T_c=25°C, unless otherwise noted)

Parameter	Symbol	Limits	Unit
Drain-Source Voltage	V_{DS}	30	V
Gate-Source Voltage	V_{GS}	±20	
Continuous Drain Current @ T _c =25°C	I_D	80	A
Continuous Drain Current @ T _c =100°C	I_D	50	
Pulsed Drain Current (Note 1)	I_{DM}	170	
Avalanche Current	I_{AS}	53	
Avalanche Energy @ L=0.1mH, $I_D=53A$, $R_G=25\Omega$	E_{AS}	140	mJ
Repetitive Avalanche Energy @ L=0.05mH (Note 2)	E_{AR}	40	
Total Power Dissipation @ T _c =25°C	Pd	83	W
Total Power Dissipation @ T _c =100°C		45	
Operating Junction and Storage Temperature Range	T _j , T _{stg}	-55~+175	°C

Note : 1. Pulse width limited by maximum junction temperature
2. Duty cycle ≤ 1%



Thermal Data

Parameter	Symbol	Value	Unit
Thermal Resistance, Junction-to-case, max	R _{th,j-c}	1.8	°C/W
Thermal Resistance, Junction-to-ambient, max	R _{th,j-a}	75	°C/W

Characteristics (T_c=25°C, unless otherwise specified)

Symbol	Min.	Typ.	Max.	Unit	Test Conditions
Static					
BV _{DSS}	30	-	-	V	V _{GS} =0V, I _D =250μA
V _{GS(th)}	1	1.5	3	V	V _{DS} = V _{GS} , I _D =250μA
I _{GSS}	-	-	±100	nA	V _{GS} =±20, V _{DS} =0V
I _{DSS}	-	-	1	μA	V _{DS} =24V, V _{GS} =0V
	-	-	25		V _{DS} =20V, V _{GS} =0V, T _j =125°C
*I _{D(ON)}	80	-	-	A	V _{DS} =10V, V _{GS} =10V
*R _{DS(ON)}	-	5.3	6	mΩ	V _{GS} =10V, I _D =30A
	-	7.6	9.5		V _{GS} =5V, I _D =24A
*G _{FS}	-	25	-	S	V _{DS} =5V, I _D =24A
Dynamic					
*Q _g (V _{GS} =10V)	-	53	-	nC	I _D =30A, V _{DS} =15V, V _{GS} =10V
*Q _g (V _{GS} =5V)	-	30	-		
*Q _{gs}	-	8	-		
*Q _{gd}	-	17	-	ns	V _{DS} =15V, I _D =25A, V _{GS} =10V, R _{GS} =2.7Ω
*t _{d(ON)}	-	22	-		
*t _r	-	16	-		
*t _{d(OFF)}	-	65	-		
*t _f	-	10	-	pF	V _{GS} =0V, V _{DS} =15V, f=1MHz
C _{iss}	-	4753	-		
C _{oss}	-	495	-		
C _{rss}	-	348	-		
R _g	-	1.2	-	Ω	V _{GS} =15mV, V _{DS} =0V, f=1MHz
Source-Drain Diode					
*I _S	-	-	80	A	
*I _{SM}	-	-	170		
*V _{SD}	-	-	1.3	V	I _F =I _S , V _{GS} =0V
*t _{rr}	-	32	-	ns	I _F =I _S , V _{GS} =0, dI _F /dt=100A/μs
*Q _{rr}	-	12	-	nC	

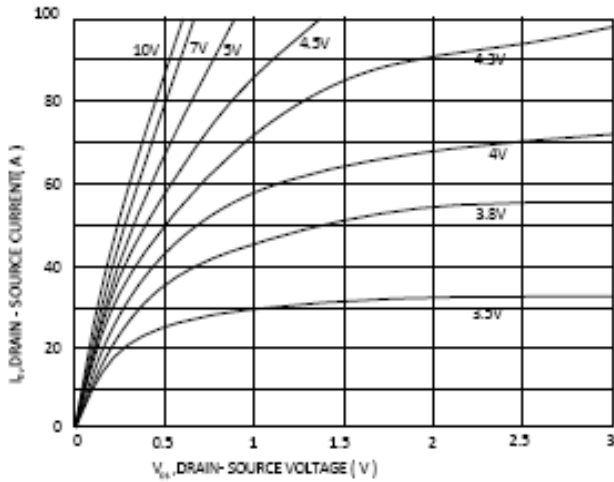
*Pulse Test : Pulse Width ≤300μs, Duty Cycles ≤2%

Ordering Information

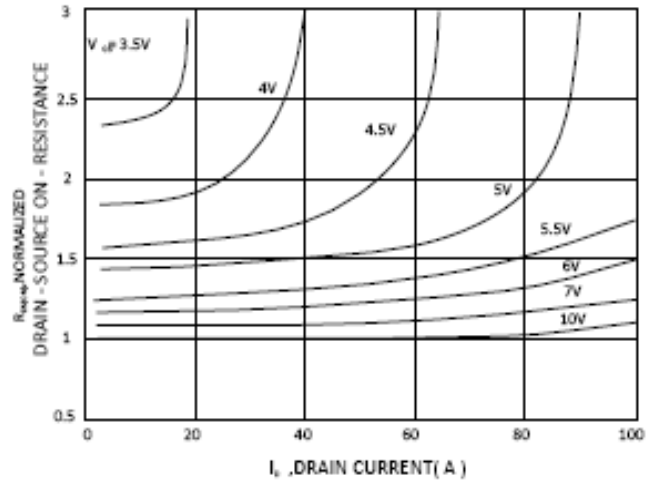
Device	Package	Shipping	Marking
MTB06N03J3	TO-252 (RoHS compliant & Halogen-free)	2500 pcs / Tape & Reel	B06N03

Characteristic Curves

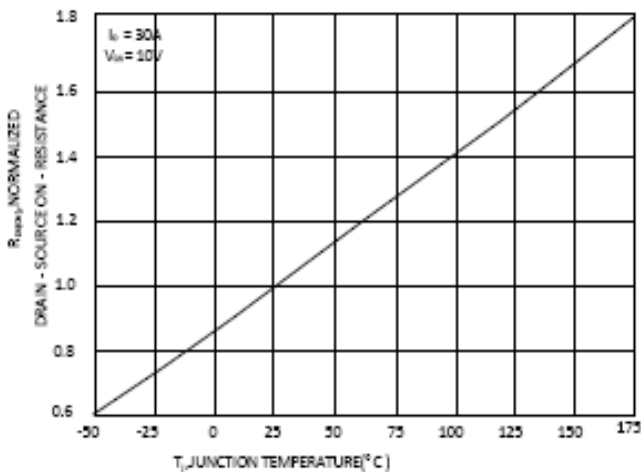
ON-REGION CHARACTERISTIC



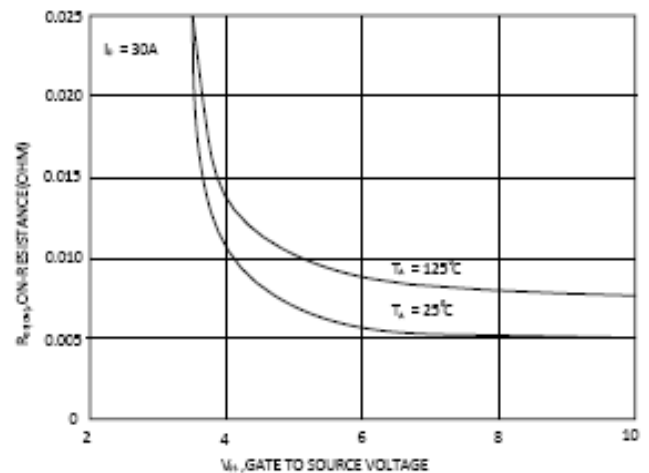
ON- RESISTANCE VARIATION WITH DRAIN CURRENT AND GATE VOLTAGE



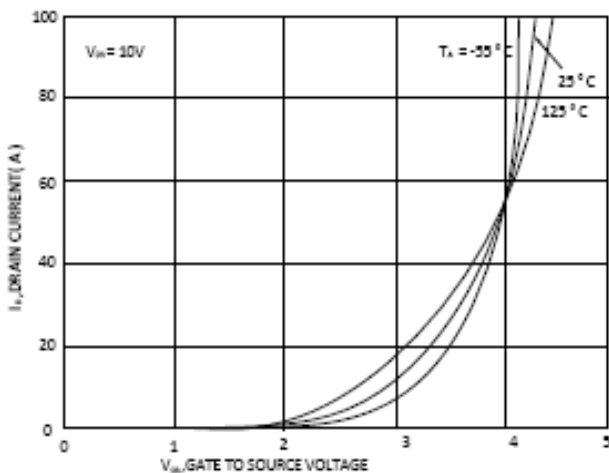
ON- RESISTANCE VARIATION WITH TEMPERATURE



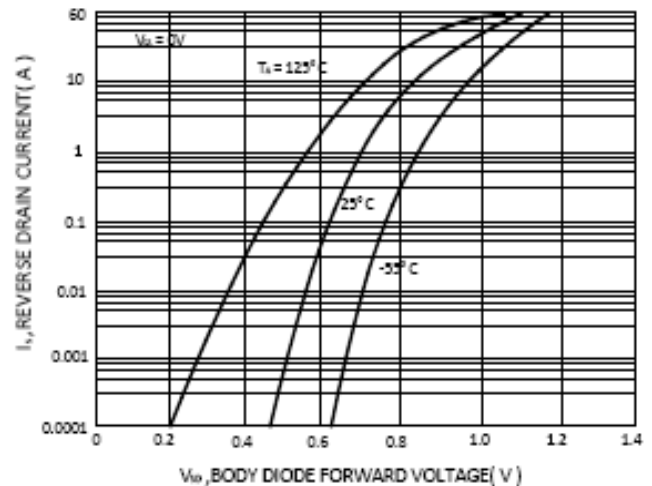
ON-RESISTANCE VARIATION WITH GATE-TO-SOURCE VOLTAGE



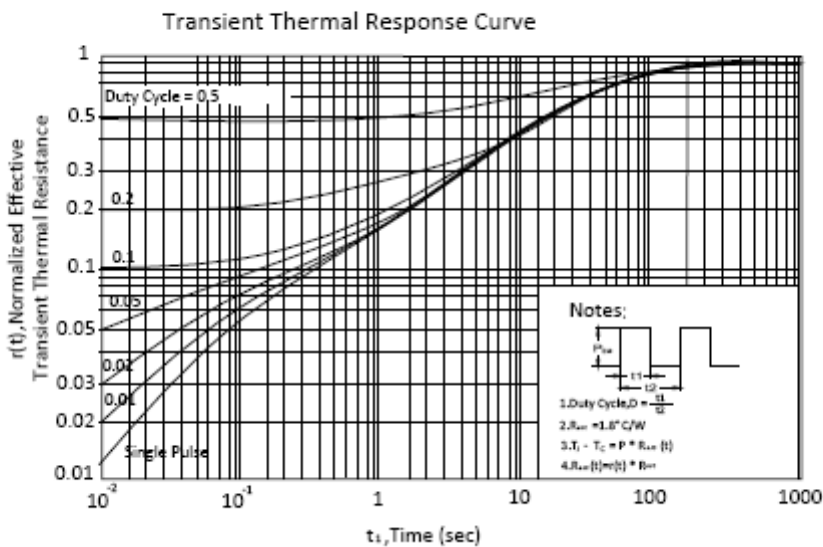
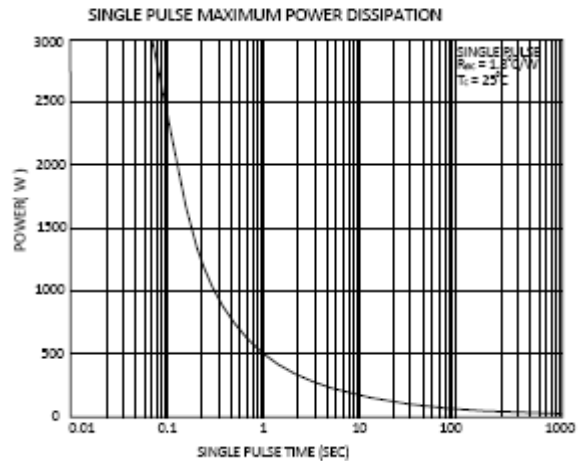
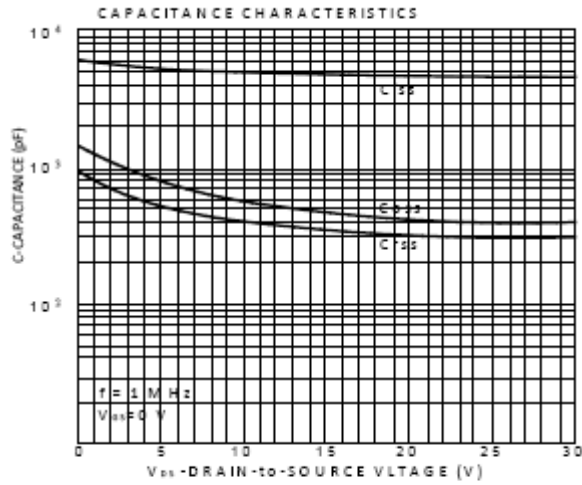
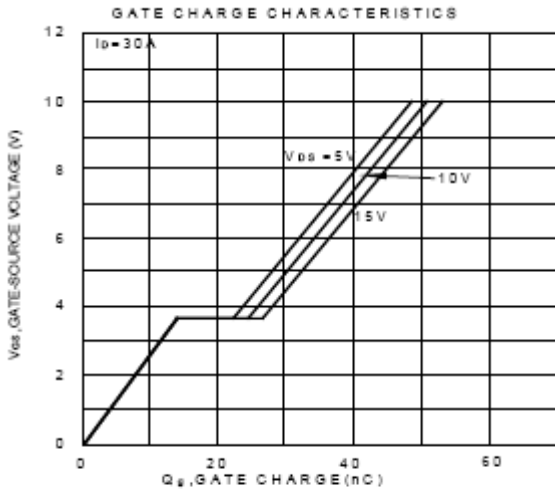
TRANSFER CHARACTERISTICS



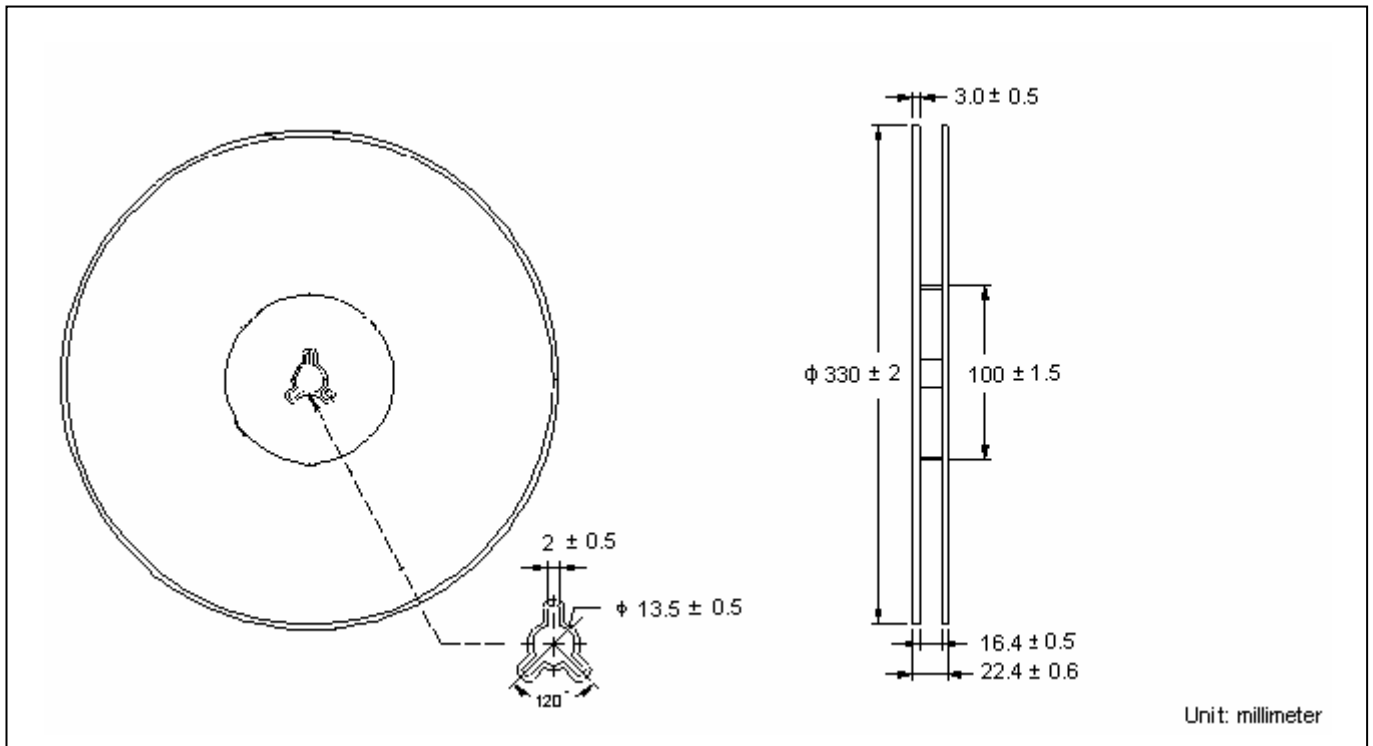
BODY DIODE FORWARD VOLTAGE VARIATION WITH SOURCE CURRENT AND TEMPERATURE



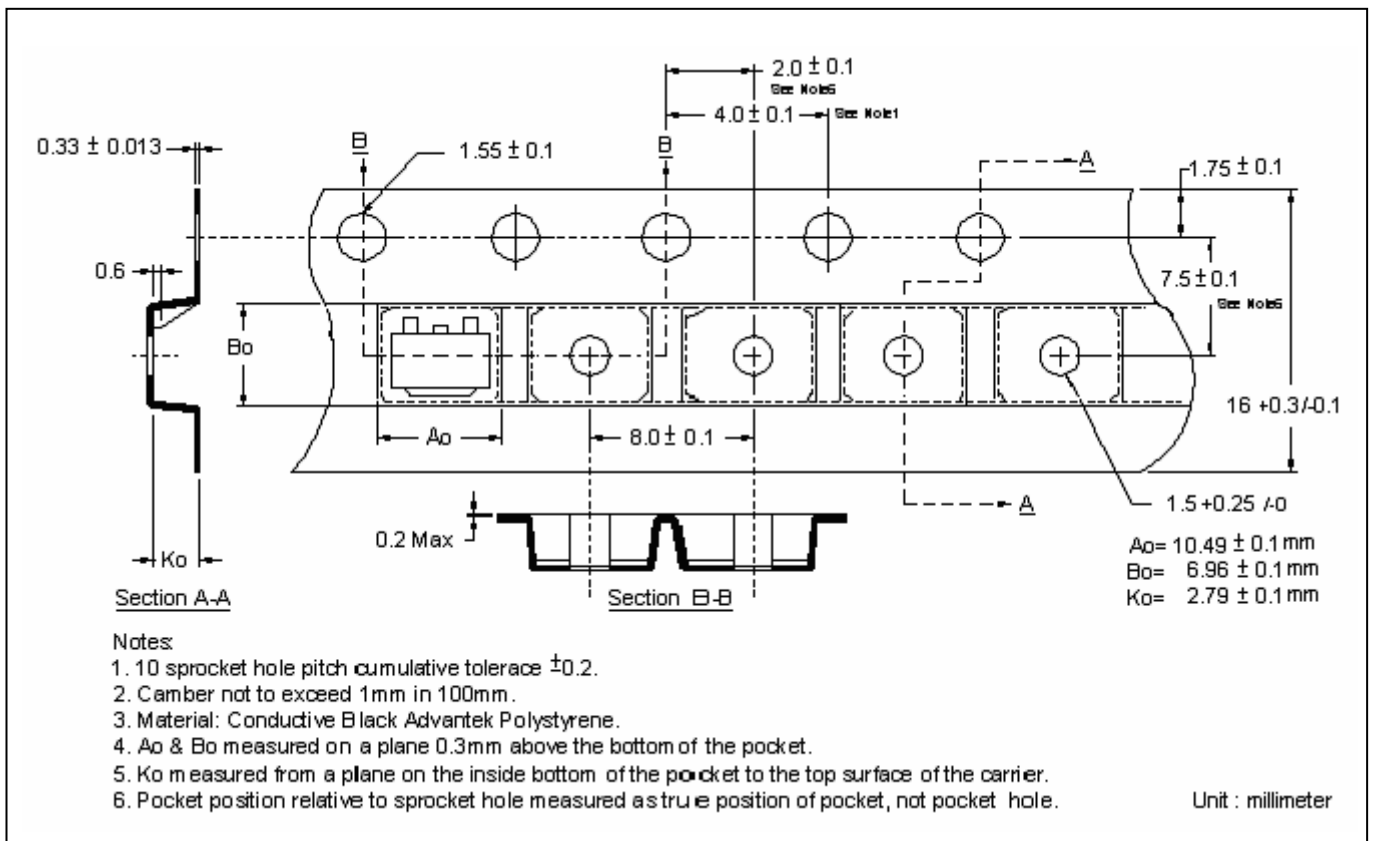
Characteristic Curves(Cont.)



Reel Dimension



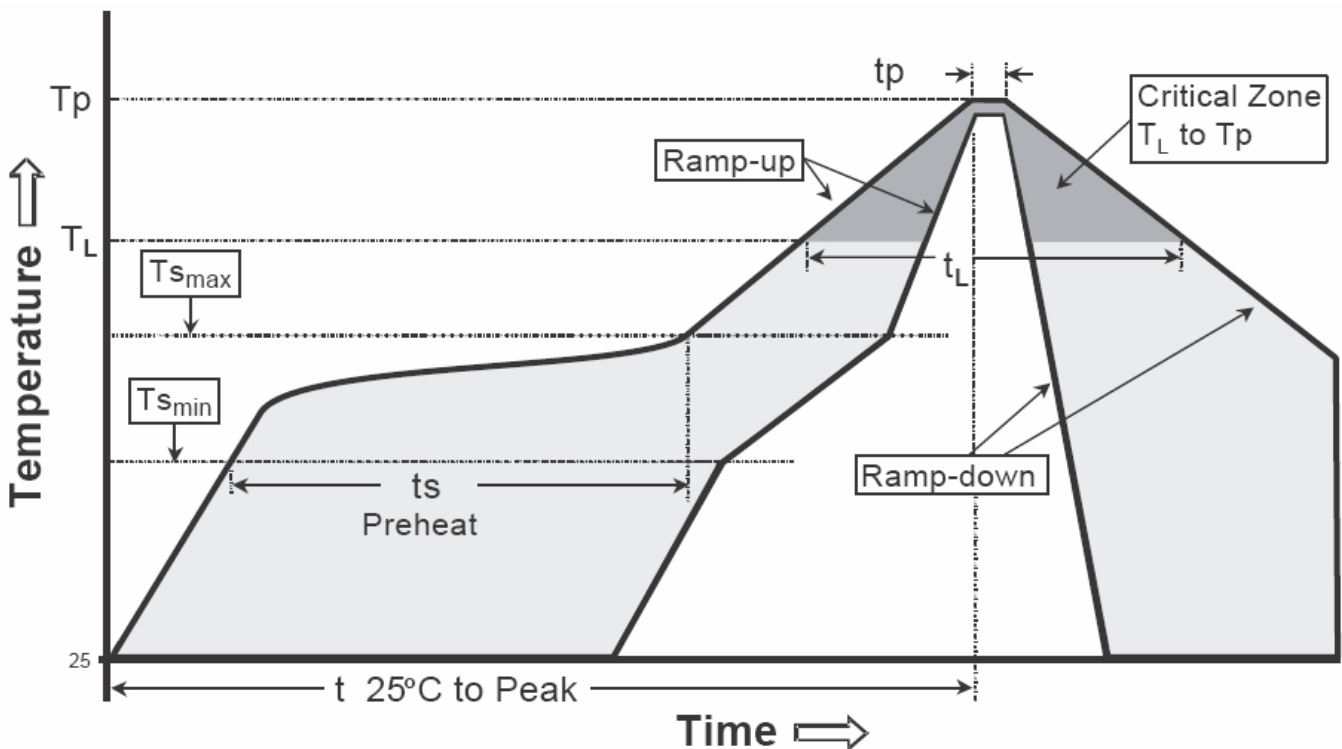
Carrier Tape Dimension



Recommended wave soldering condition

Product	Peak Temperature	Soldering Time
Pb-free devices	260 +0/-5 °C	5 +1/-1 seconds

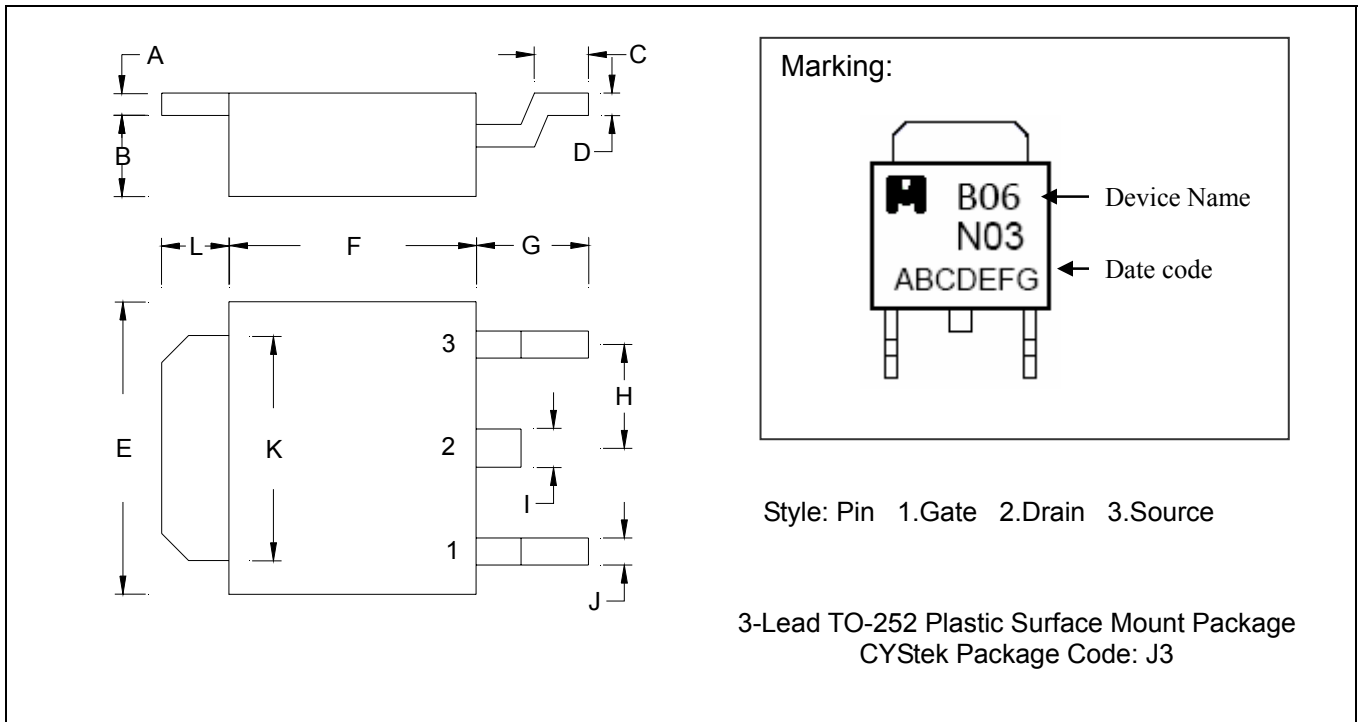
Recommended temperature profile for IR reflow



Profile feature	Sn-Pb eutectic Assembly	Pb-free Assembly
Average ramp-up rate (T_{smax} to T_p)	3°C/second max.	3°C/second max.
Preheat		
-Temperature Min(T_{smin})	100°C	150°C
-Temperature Max(T_{smax})	150°C	200°C
-Time(t_{smin} to t_{smax})	60-120 seconds	60-180 seconds
Time maintained above:		
-Temperature (T_L)	183°C	217°C
- Time (t_L)	60-150 seconds	60-150 seconds
Peak Temperature(T_P)	240 +0/-5 °C	260 +0/-5 °C
Time within 5°C of actual peak temperature(t_p)	10-30 seconds	20-40 seconds
Ramp down rate	6°C/second max.	6°C/second max.
Time 25 °C to peak temperature	6 minutes max.	8 minutes max.

Note : All temperatures refer to topside of the package, measured on the package body surface.

TO-252 Dimension



*: Typical

DIM	Inches		Millimeters		DIM	Inches		Millimeters	
	Min.	Max.	Min.	Max.		Min.	Max.	Min.	Max.
A	0.0177	0.0217	0.45	0.55	G	0.0866	0.1102	2.20	2.80
B	0.0650	0.0768	1.65	1.95	H	-	*0.0906	-	*2.30
C	0.0354	0.0591	0.90	1.50	I	-	0.0449	-	1.14
D	0.0177	0.0236	0.45	0.60	J	-	0.0346	-	0.88
E	0.2441	0.2677	6.20	6.80	K	0.2047	0.2165	5.20	5.50
F	0.2125	0.2283	5.40	5.80	L	0.0551	0.0630	1.40	1.60

- Notes:**
- 1.Controlling dimension: millimeters.
 - 2.Maximum lead thickness includes lead finish thickness, and minimum lead thickness is the minimum thickness of base material.
 - 3.If there is any question with packing specification or packing method, please contact your local CYStek sales office.

Material:

- Lead : KFC; pure tin plated
- Mold Compound: Epoxy resin family, flammability solid burning class: UL94V-0

Important Notice:

- All rights are reserved. Reproduction in whole or in part is prohibited without the prior written approval of CYStek.
- CYStek reserves the right to make changes to its products without notice.
- CYStek **semiconductor products are not warranted to be suitable for use in Life-Support Applications, or systems.**
- CYStek assumes no liability for any consequence of customer product design, infringement of patents, or application assistance.