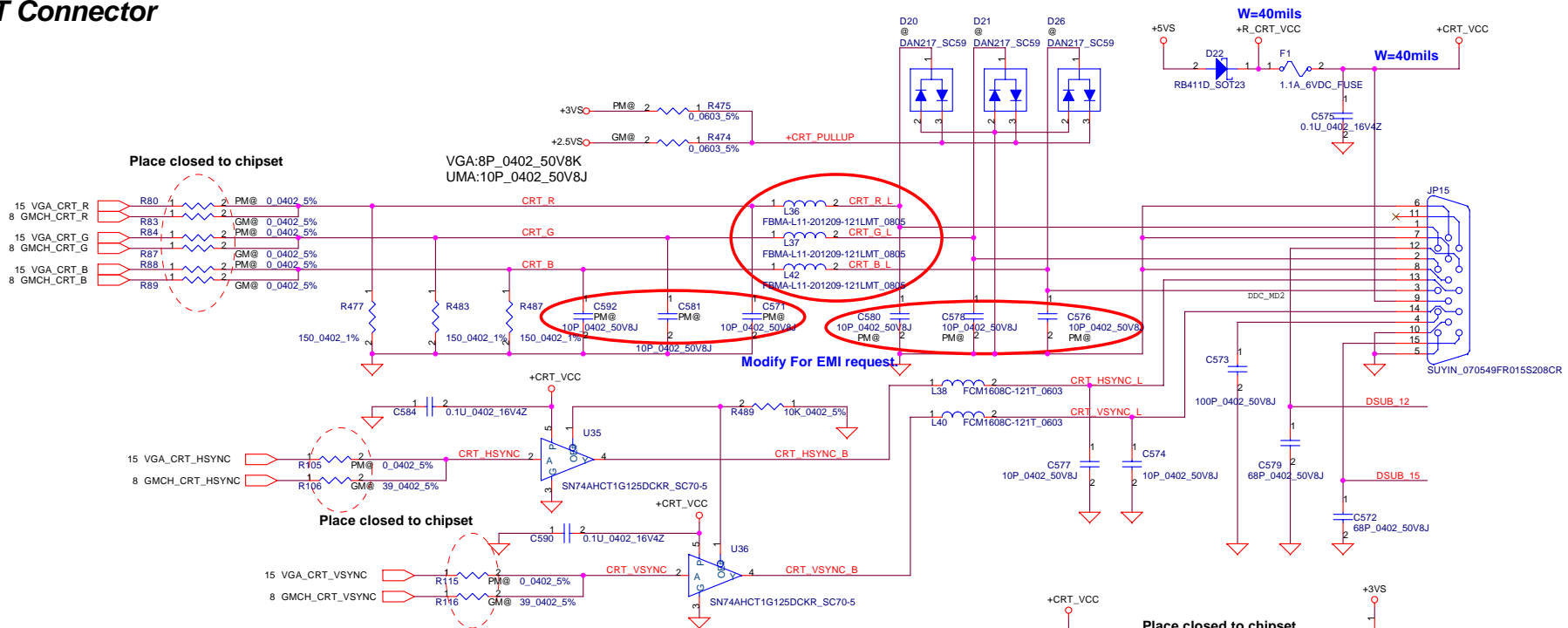
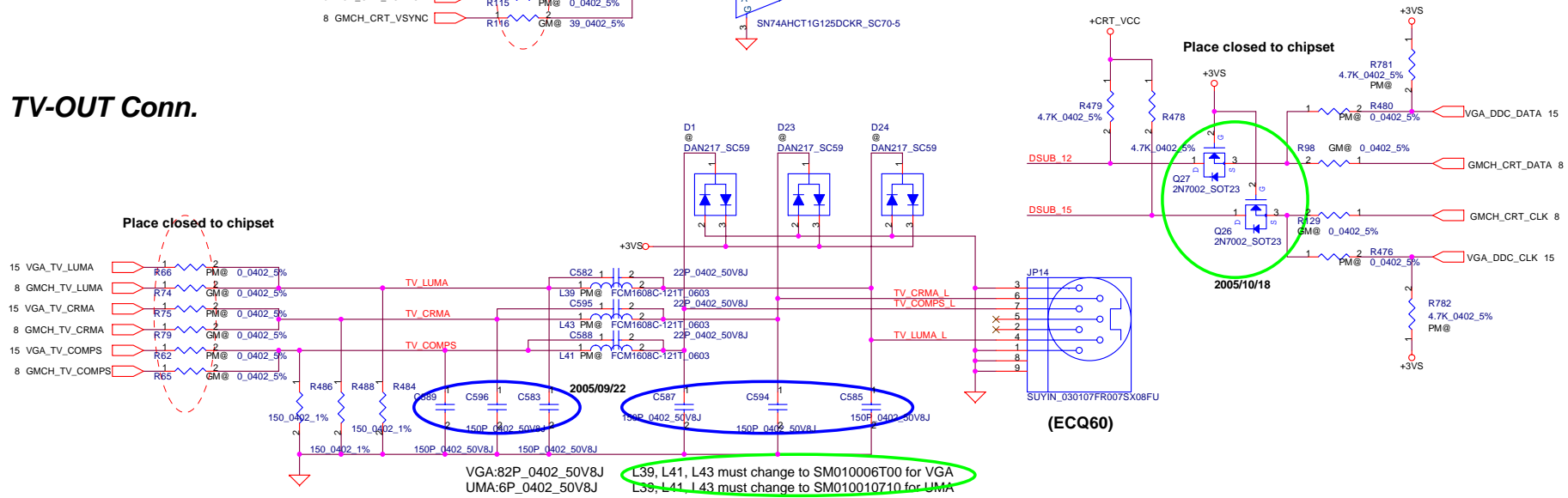


CRT Connector



TV-OUT Conn.



Security Classification	Compal Secret Data		Title	
Issued Date	2006/10/4	Deciphered Date	2007/10/4	
THIS SHEET OF ENGINEERING DRAWING IS THE PROPRIETARY PROPERTY OF COMPAL ELECTRONICS, INC. AND CONTAINS CONFIDENTIAL AND TRADE SECRET INFORMATION. THIS SHEET MAY NOT BE TRANSFERRED FROM THE CUSTODY OF THE COMPETENT DIVISION OF R&D DEPARTMENT EXCEPT AS AUTHORIZED BY COMPAL ELECTRONICS, INC. NEITHER THIS SHEET NOR THE INFORMATION IT CONTAINS MAY BE USED BY OR DISCLOSED TO ANY THIRD PARTY WITHOUT PRIOR WRITTEN CONSENT OF COMPAL ELECTRONICS, INC.				
Size	Document Number	Rev		H
B	401398			
Date:	星期四, 十月 05, 2006	Sheet	24	of 59

Compal Electronics, Inc.

SCHMATIC, M/B LA-2921P

401398
Rev H
Date: 星期四, 十月 05, 2006
Sheet 24 of 59